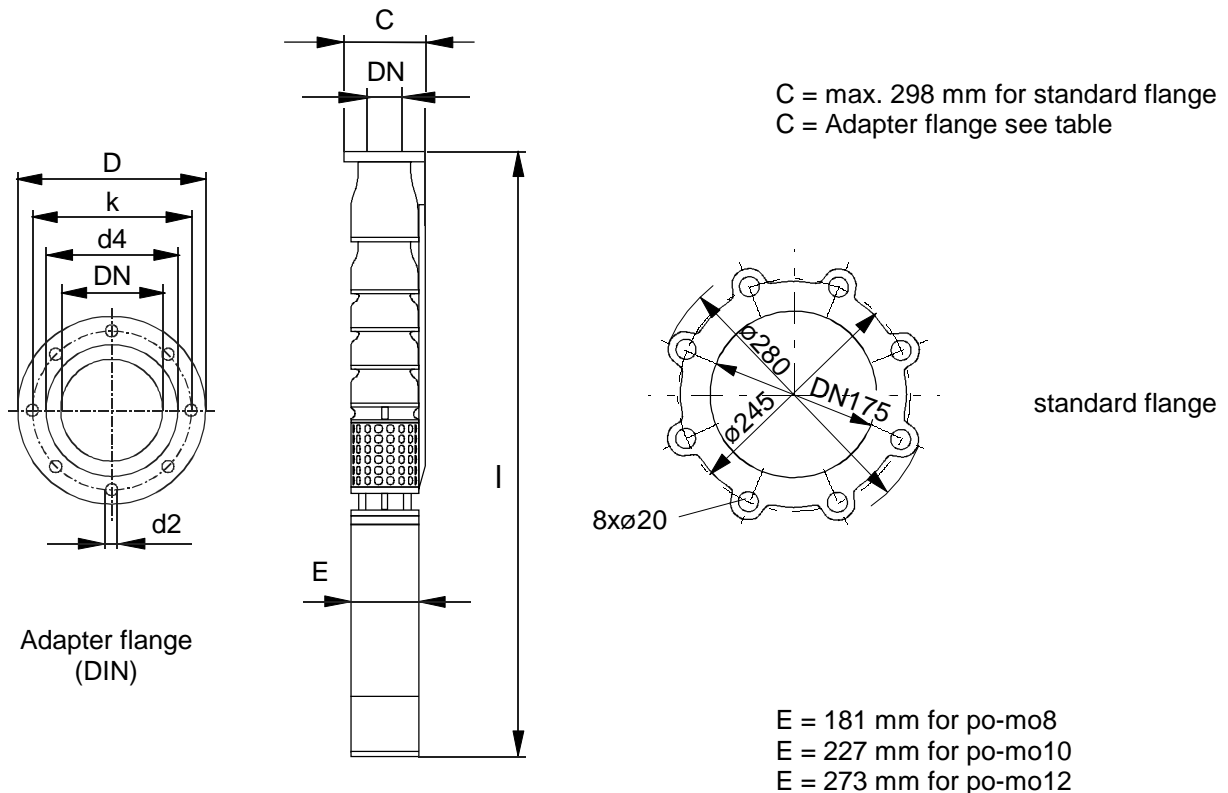


Specification

- multistage centrifugal pump in structured design coupled with **oddesse** submersible motor
- discharge end with integrated non-return valve
- driven by three-phase AC motors
- minimal water level above the pump unit 2.5 m
- min. cooling flow 0.5 m/s, max. ambient temperature 30 °C
- pure, clean water with content of solid up to 50 mg/l
- standard connection: flange, counter flange included
- other connections on request
- hydraulic performance tests for acceptance according to DIN EN ISO 9906 class 2
- special design (Horizontal installation, etc.) on request

Main dimensions



Dimensions of standard flanges and adapters

Type	adapters						
	flange	dimensions					
		D [mm]	b [mm]	k [mm]	d4 [mm]	d2 [mm]	m [kg]
po-ss-300/12.3 po-ss-400/12.3	DN150, PN16	285	22	240	212	8x ø22	15
	DN150, PN40	300	28	250	218	8x ø26	19
	DN200, PN16	340	24	295	268	12x ø22	25
	DN200, PN40	375	34	320	285	12x ø30	32
	DN250, PN16	405	26	355	320	12x ø26	35
	DN250, PN40	450	38	385	345	12x ø33	45

Flange dimensions according to DIN 2633 (PN16) and DIN 2635 (PN40)

Material: stainless steel

PN nominal pressure [bar], DN nominal diameter [mm], b thickness of flange [mm], m weight [kg]

Flanges with 2 cable recesses

subject to alterations

Material of construction

Submersible motor pumps po-ss/12.3

According to DIN

components	N-version (AISI 316)
impeller	stainless steel / 1.4401
spacer sleeve	stainless steel / 1.4401
stage casing, diffuser	stainless steel / 1.4401
wear ring	POM
suction casing, outlet branch	stainless steel / 1.4401
radial bearing	PTFE / stainless steel
suction strainer	stainless steel / 1.4401
coupling	stainless steel / 1.4462
shaft	stainless steel / 1.4462
screws, nuts and bolts	stainless steel / 1.4401
motor	see chapter submersible motors

According to AISI

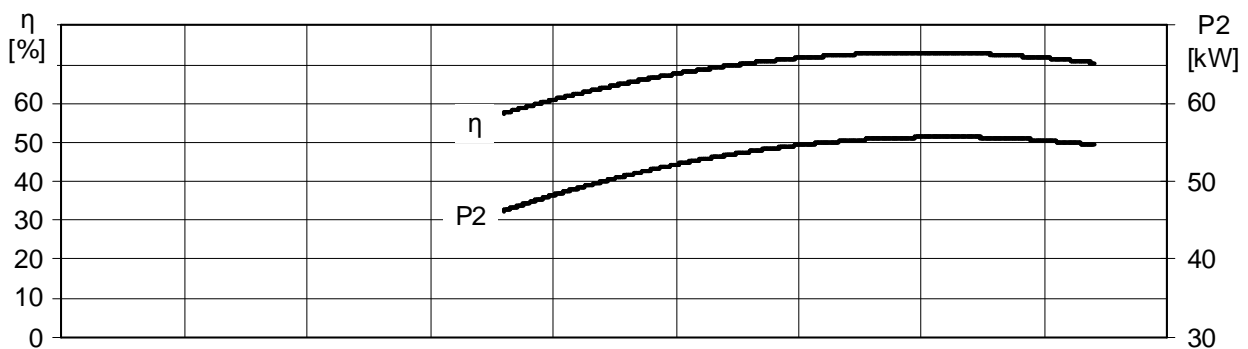
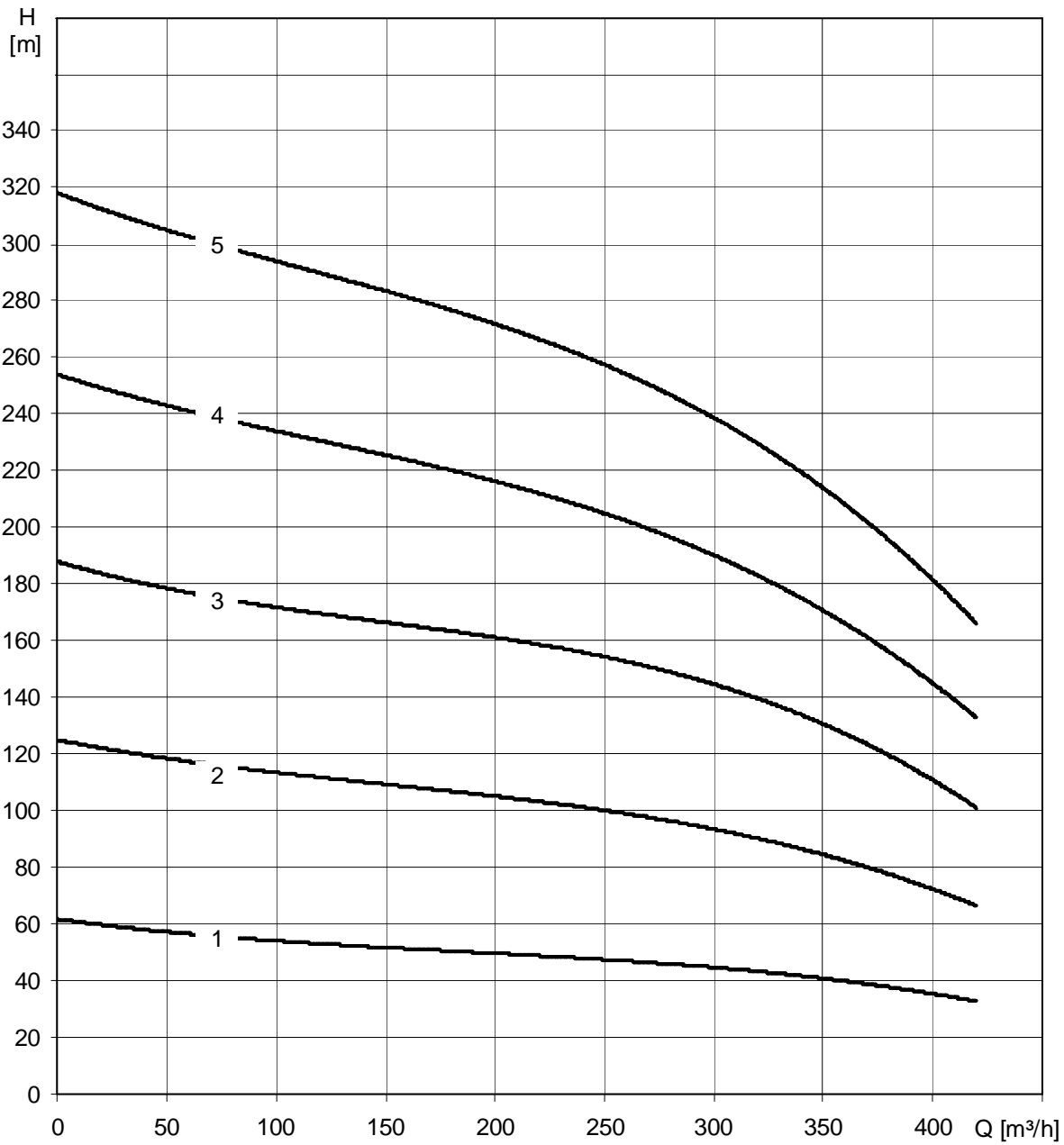
components	N-version (AISI 316)
impeller	stainless steel / AISI 316
spacer sleeve	stainless steel / AISI 316
stage casing, diffuser	stainless steel / AISI 316
wear ring	POM
suction casing, outlet branch	stainless steel / AISI 316
radial bearing	PTFE / stainless steel
suction strainer	stainless steel / AISI 316
coupling	stainless steel / AISI 329
shaft	stainless steel / AISI 329
screws, nuts and bolts	stainless steel / AISI 316
motor	see chapter submersible motors

oddesse reserve the right to employ construction materials following German (DIN) standard

subject to alterations

po-ss-300/12.3

2900 1/min - 50 Hz



subject to alterations

po-ss-300/12.3
2900 1/min - 50 Hz

Type	Power [kW] [HP]		Amperes 400V [A]	Delivery rate Q									Length l [mm]	Weight m [kg]
				[l/s]	50	67	75	83	92	100	108	117		
				[m³/h]	180	240	270	300	330	360	390	420		
po-ss-300-1/12.3	63*	85*	127	Delivery head H [m]	51	48	47	45	43	40	37	33	2288	274
po-ss-300-2/12.3	130**	175**	250		107	101	98	94	89	83	75	67	2969	542
po-ss-300-3/12.3	190**	250**	365		164	156	151	145	137	127	116	101	3399	640
po-ss-300-4/12.3	260	350	515		220	208	200	191	179	166	151	133	3473	715
po-ss-300-5/12.3	300	400	595		277	261	250	240	224	208	188	166	3773	784

* 8" inch motor

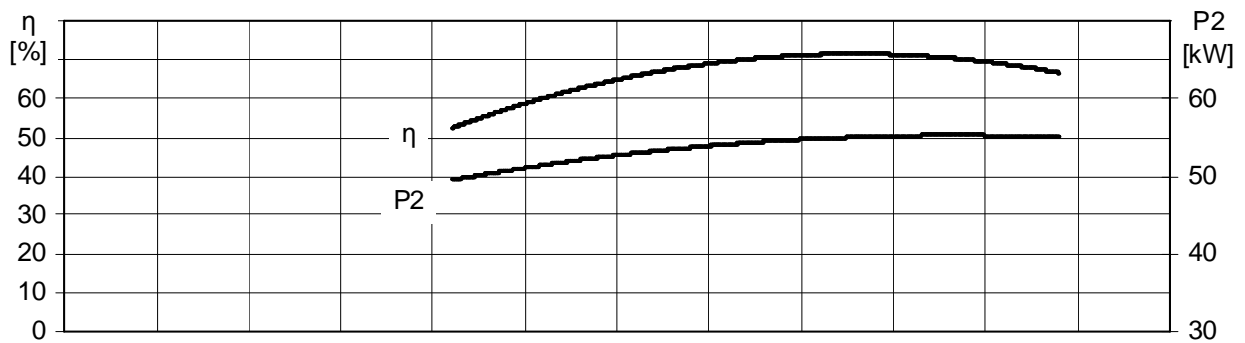
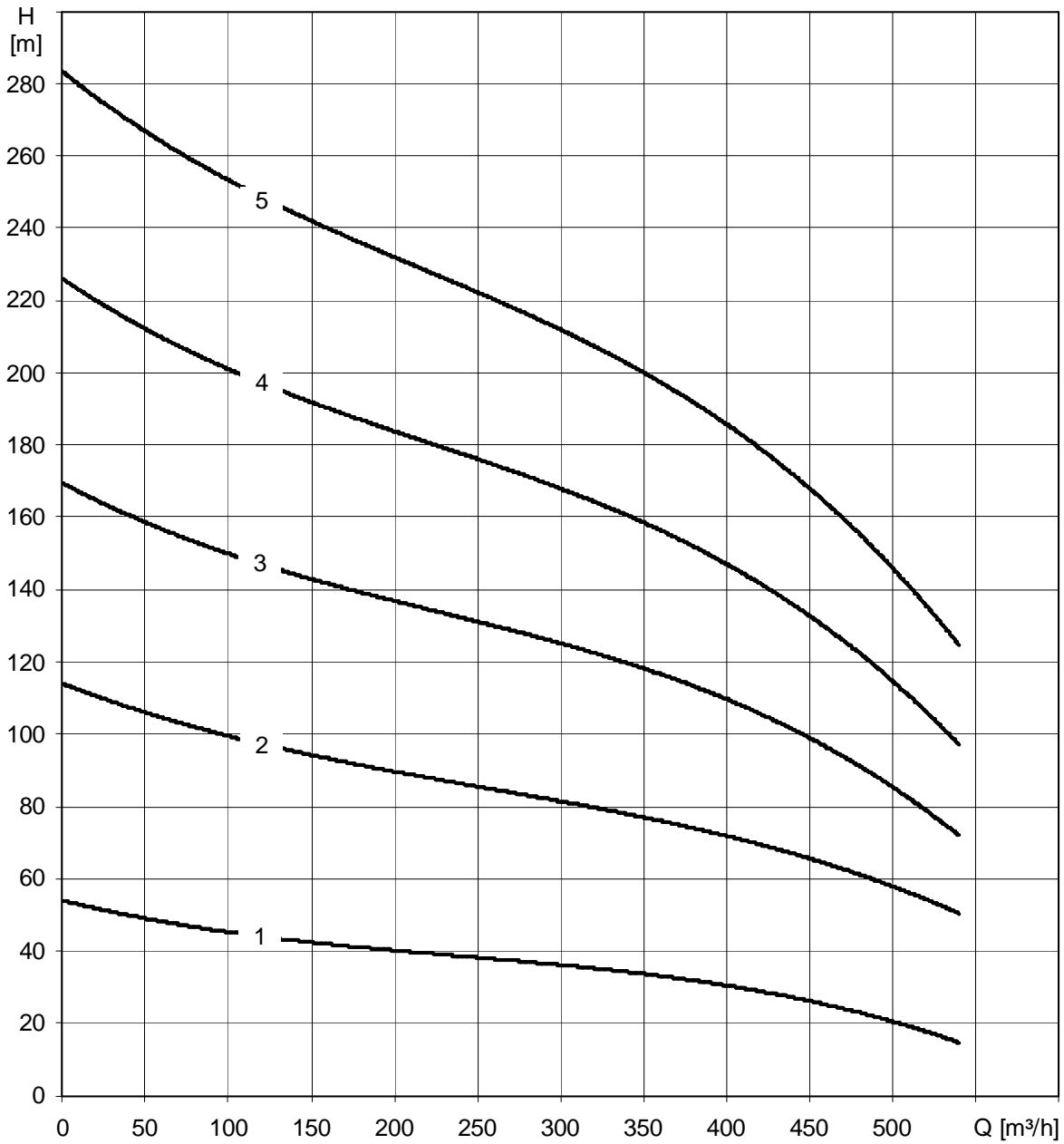
** 10 inch motor

1-stage pump: delivery head H and efficiency η - 2%

2-stage pump: delivery head H and efficiency η - 1%

subject to alterations

po-ss-400/12.3
2900 1/min - 50 Hz



subject to alterations

po-ss-400/12.3
2900 1/min - 50 Hz

Type	Power		Amperes 400V [A]	Delivery rate Q								Length l [mm]	Weight m [kg]	
				[l/s]	58	67	75	100	111	117	133			150
	[kW]	[HP]		[m³/h]	210	240	270	360	400	420	480	540		
po-ss-400-1/12.3	55*	75*	108	Delivery head H [m]	40	39	38	33	30	29	24	15	2208	258
po-ss-400-2/12.3	130**	175**	250		89	86	84	76	72	70	61	51	2969	536
po-ss-400-3/12.3	190**	250**	365		136	133	129	116	110	106	91	72	3399	631
po-ss-400-4/12.3	260	350	515		182	178	173	156	147	142	123	97	3473	703
po-ss-400-5/12.3	300	400	595		230	225	218	197	185	180	156	125	3773	770

* 8" inch motor

** 10 inch motor

1-stage pump: delivery head H and efficiency η - 2%

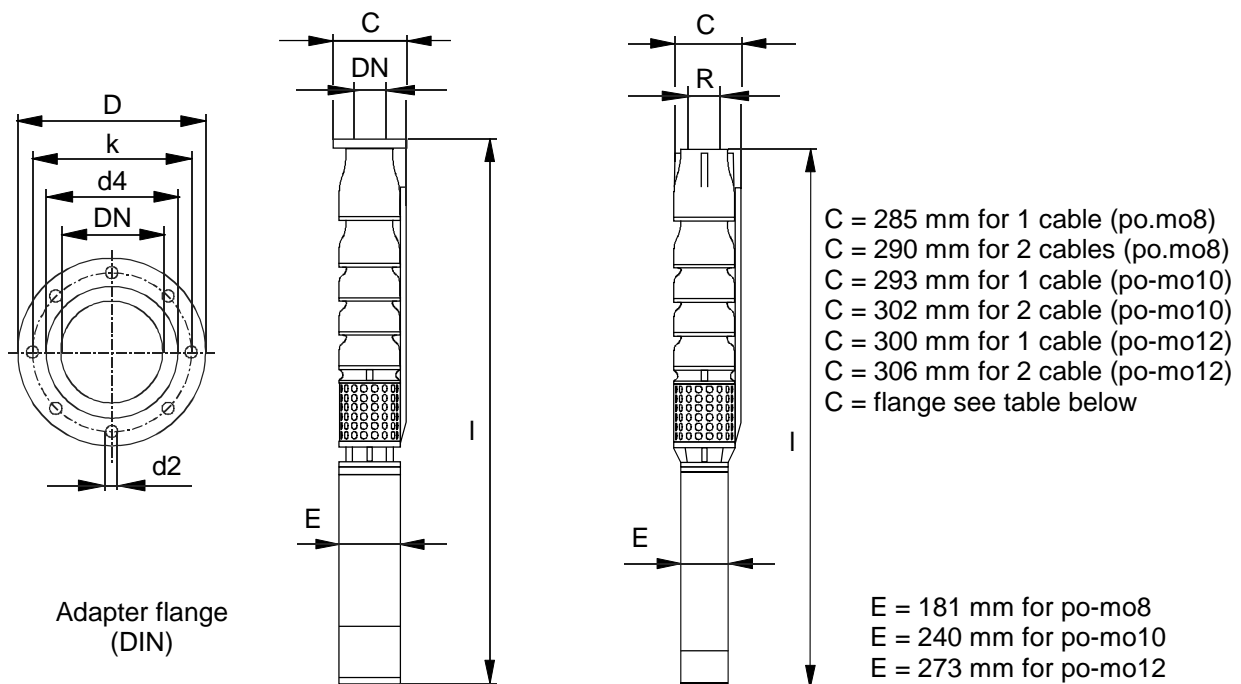
2-stage pump: delivery head H and efficiency η - 1%

subject to alterations

Specification

- multistage centrifugal pump in structured design coupled with **oddesse** submersible motor
- discharge end with / without integrated non-return valve
- driven by three-phase AC motors
- minimal water level above the pump unit 2.9 m
- min. cooling flow 0.5 m/s, max. ambient temperature 30 °C (higher temperature on request)
- pure, clean water with content of solid up to 50 mg/l
- standard connection: R = API 8" NPT
- other connections on request
- hydraulic performance tests for acceptance according to DIN EN ISO 9906 class 2
- special design (Horizontal installation, etc.) on request

Main dimensions



Dimensions of standard flanges and adapters

Type	reduction thread	adapters						
		flange	dimensions					
			D [mm]	b [mm]	k [mm]	d4 [mm]	d2 [mm]	m [kg]
po-ss-300/12.1 po-ss-400/12.1	G6 G8	DN150, PN16	285	22	240	212	8x ø22	15
		DN150, PN40	300	28	250	218	8x ø26	19
		DN200, PN16	340	24	295	268	12x ø22	25
		DN200, PN40	375	34	320	285	12x ø30	32
		DN250, PN16	405	26	355	320	12x ø26	35
		DN250, PN40	450	38	385	345	12x ø33	45

Flange dimensions according to DIN 2633 (PN16) and DIN 2635 (PN40)

Material: stainless steel

PN nominal pressure [bar], DN nominal diameter [mm], b thickness of flange [mm], m weight [kg]

Flanges with 2 cable recesses

subject to alterations

oddesse Submersible motor pumps po-ss/12.1

Material of construction (hydraulic parts in casted design)

Submersible motor pumps po-ss/12.1

According to DIN

components	C-version (AISI 304)	R-version (duplex)
impeller	stainless steel / 1.4308	duplex stainless steel / 1.4517
stage casing, diffuser	stainless steel / 1.4308	duplex stainless steel / 1.4517
wear ring	POM	POM
suction casing, outlet branch	stainless steel / 1.4308	duplex stainless steel / 1.4517
radial bearing	EPDM / stainless steel	EPDM / duplex stainless steel
suction strainer	stainless steel / 1.4571	duplex stainless steel / 1.4539
coupling	duplex stainless steel / 1.4462	duplex stainless steel / 1.4462
shaft	stainless steel / 1.4057	duplex stainless steel / 1.4462
screws, nuts and bolts	stainless steel / A4-70	duplex stainless steel / 1.4462
motor	see chapter submersible motors	see chapter submersible motors

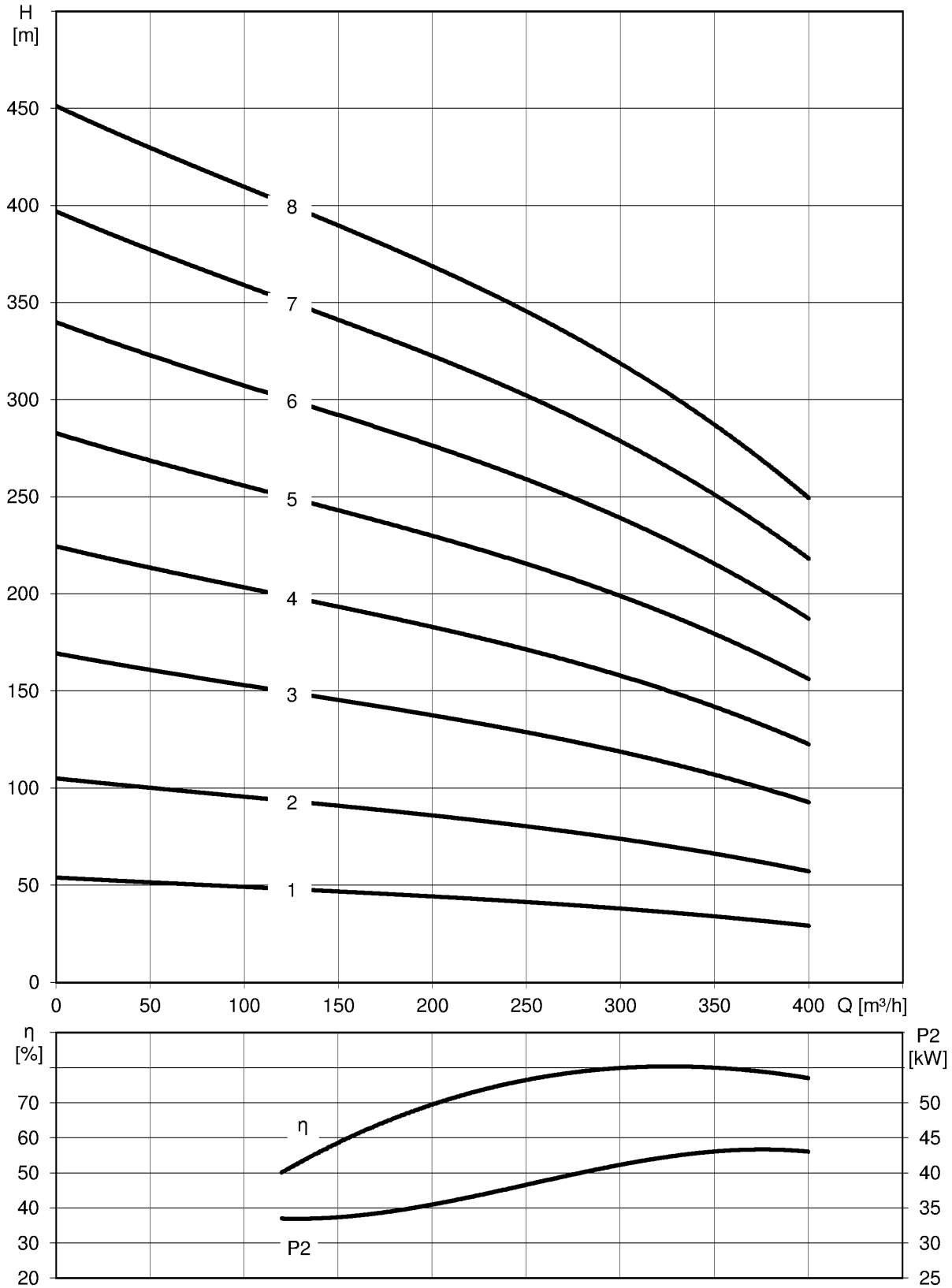
According to AISI

components	C-version (AISI 304)	R-version (duplex)
impeller	stainless steel / AISI 304	duplex stainless steel
stage casing, diffuser	stainless steel / AISI 304	duplex stainless steel
wear ring	POM	POM
suction casing, outlet branch	stainless steel / AISI 304	duplex stainless steel
radial bearing	EPDM / stainless steel	EPDM / duplex stainless steel
suction strainer	stainless steel / AISI 316	duplex stainless steel / AISI 904L
coupling	stainless steel / duplex	duplex stainless steel
shaft	stainless steel / AISI 431	duplex stainless steel
screws, nuts and bolts	stainless steel / AISI 316	duplex stainless steel
motor	see chapter submersible motors	see chapter submersible motors

oddesse reserve the right to employ construction materials following German (DIN) standard

subject to alterations

po-ss-300/12.1
2900 1/min - 50 Hz



subject to alterations

po-ss-300/12.1

2900 1/min - 50 Hz

Type	Power		Amperes 400V [A]	Delivery rate Q									Length l [mm]	Weight m [kg]
				[l/s]	33	50	61	72	83	92	100	111		
				[m³/h]	120	180	220	260	300	330	360	400		
po-ss-300-1/12.1	45*	60*	88	Delivery head H [m]	49	45	43	41	38	36	34	29	2002	222
po-ss-300-2/12.1	90*	125*	172		95	88	83	78	74	70	66	56	2557	300
po-ss-300-3/12.1	150**	200**	290		152	140	132	126	120	114	106	91	3253	566
po-ss-300-4/12.1	190**	260**	365		202	186	176	168	159	150	140	121	3638	640
po-ss-300-5/12.1	225	300	440		255	233	222	210	200	190	178	154	3672	683
po-ss-300-6/12.1	300	400	595		306	281	266	253	240	228	214	184	4082	779
po-ss-300-7/12.1	330	450	655		357	328	311	295	280	266	248	215	4367	825
po-ss-300-8/12.1	400	550	810		408	375	355	337	320	304	285	245	4727	905

* 8 inch motor

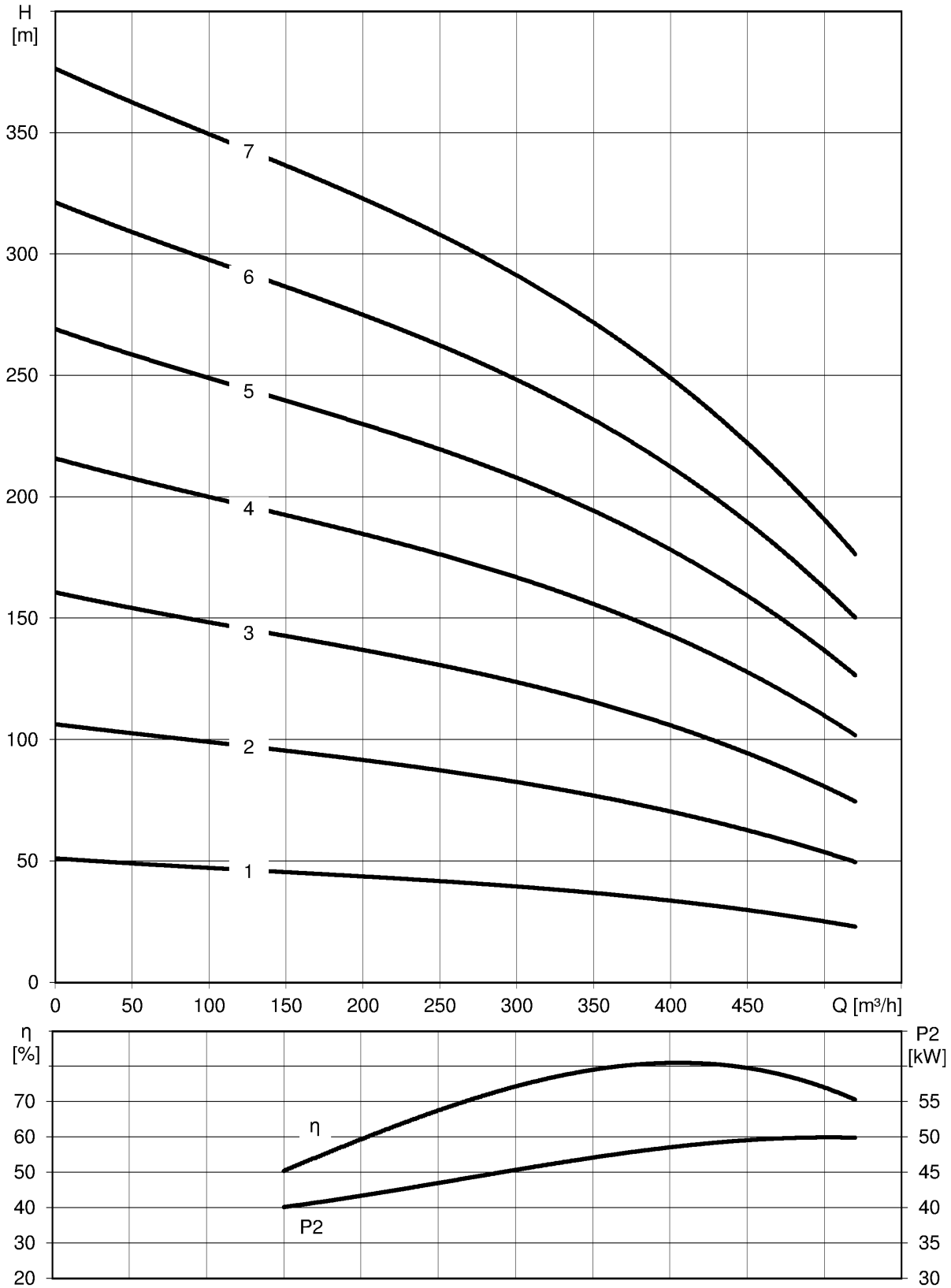
** 10 inch motor

1-stage pump: delivery head H and efficiency η - 2%

2-stage pump: delivery head H and efficiency η - 1%

subject to alterations

po-ss-400/12.1
2900 1/min - 50 Hz



subject to alterations

po-ss-400/12.1
2900 1/min - 50 Hz

Type	Power		Amperes 400V [A]	Delivery rate Q									Length l [mm]	Weight m [kg]
				[l/s]	42	56	69	83	97	111	128	144		
				[m³/h]	150	200	250	300	350	400	460	520		
po-ss-400-1/12.1	55*	75*	108	Delivery head H [m]	47	44	41	39	37	34	30	22	2082	234
po-ss-400-2/12.1	110**	150**	215		97	91	87	81	77	71	63	48	2818	480
po-ss-400-3/12.1	170**	230**	325		146	137	129	122	115	107	95	73	3343	593
po-ss-400-4/12.1	225	300	440		197	184	174	164	155	145	128	99	3437	656
po-ss-400-5/12.1	300	400	595		245	230	216	204	193	181	160	123	3847	752
po-ss-400-6/12.1	330	450	655		293	275	258	244	230	216	190	146	4132	798
po-ss-400-7/12.1	400	550	810		343	323	304	286	270	253	222	172	4492	877

* 8 inch motor

** 10 inch motor

1-stage pump: delivery head H and efficiency η - 2%

2-stage pump: delivery head H and efficiency η - 1%

subject to alterations