

## Pressure jackets for submersible motor pumps (booster pumps)

### Fields of application:

Pressure jackets for submersible motor pumps are used for booster purpose in:

- water supply
- water treatment
- irrigation
- water supply in industrial processes
- pumping of thermal and sea water

They are usable alternatively for conventional centrifugal pumps. Pressure jacketed pumps have offer a lot of advantages:

- safe against inundation
- low noise emission
- working without leakage
- small space requirements
- no costly basements
- easy mounting

### Design:

Pressure jacketed pumps are made for horizontal and vertical installation. Standard material is stainless steel 1.4571 (AISI 316). Connection to piping by Whitworth- pipe thread or flange according to DIN 2633.

Special design on request.

According to following hydraulic specifications required the pump will be selected:

- rate of flow
- total head of installation
- suction conditions
- temperature of pumped medium

For selection of a usable pressure jacket it needs these data:

- horizontal or vertical using
- diameter and length of submersible motor pump
- connection diameter suction pipeline
- connection diameter pressure pipeline
- motor starting conditions, D.O.L. or star-delta
- cable length

### Accessories:

- manometer
- valves
- non return valves
- fittings and adapters

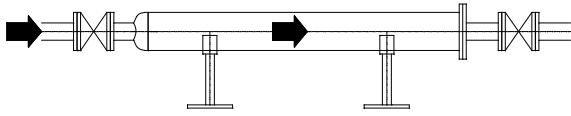


Subject to alterations

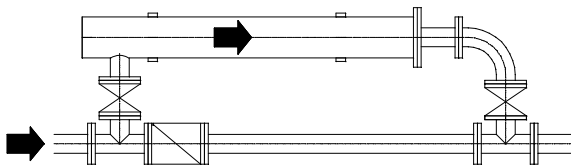
### Installation examples for booster pumps

#### horizontal

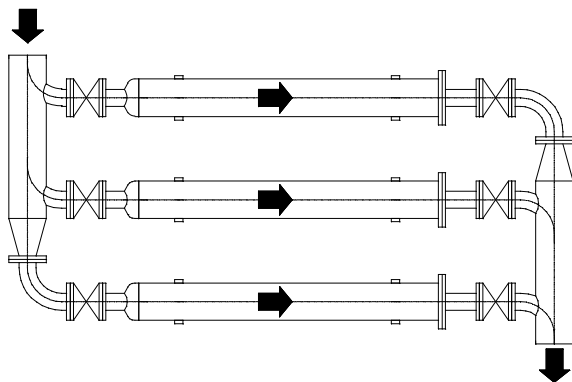
directly in line



with by-pass

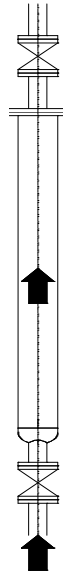


as system

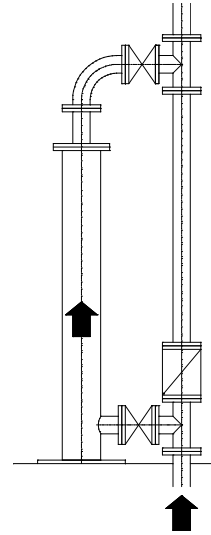


#### vertical

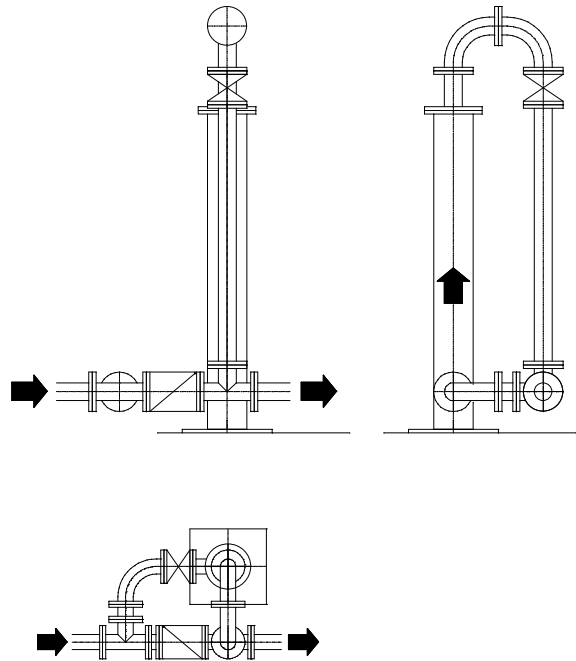
in riser pipeline  
directly



with by-pass



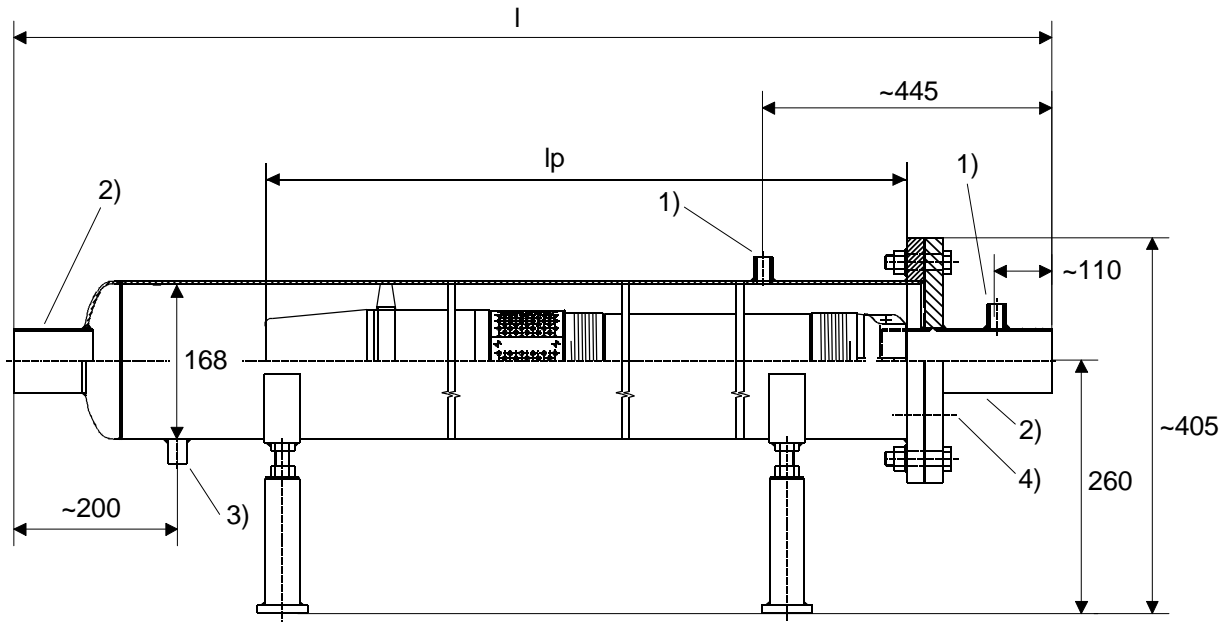
in narrow rooms



Subject to alterations

### Pressure jackets, horizontal for po-so-.../4.5 and po-ss-.../4.4

- for increasing of pressure in pipeline nets in combination with **oddesse**-submersible motor pumps
- made of stainless steel 1.4571 (AISI 316)



- 1) manometer connection / vent connection R1/2"  
 2) Whitworth- pipe thread, external R2" according to DIN 2998T1  
 3) drain connection R1/2"  
 4) cable gland

Type	lp max [mm]	l [mm]	Weight [kg]	Order-Nr.
po-dmh-50-125/4.0	890	1250	47	dmh 1 125 040
po-dmh-50-150/4.0	1140	1500	50	dmh 1 150 040
po-dmh-50-175/4.0	1390	1750	53	dmh 1 175 040
po-dmh-50-200/4.0	1640	2000	56	dmh 1 200 040
po-dmh-50-225/4.0	1890	2250	59	dmh 1 225 040
po-dmh-50-250/4.0	2140	2500	62	dmh 1 250 040

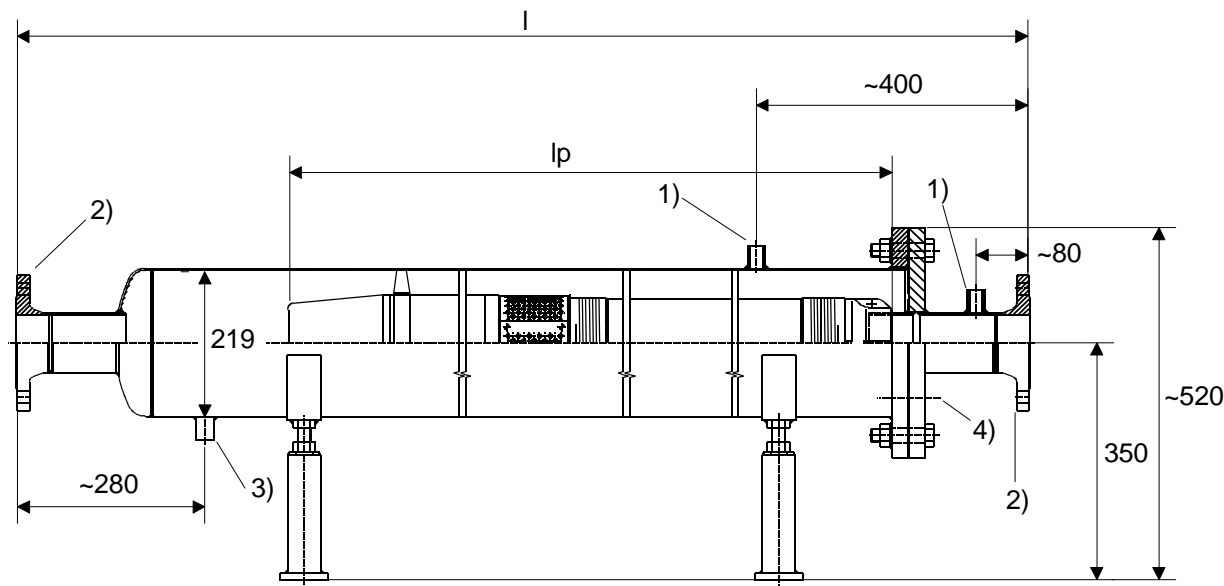
#### Accessories:

- manometer
- valves
- non return valves etc. on request
- special design for the direction of connection, dimensions of flanges and main dimensions available

Subject to alterations

### Pressure jackets, horizontal for po-so-.../6.2 and po-ss-.../6.1

- for increasing of pressure in pipeline nets in combination with **oddesse**-submersible motor pumps
- made of stainless steel 1.4571 (AISI 316)



- 1) manometer connection / vent connection R1/2"
- 2) flange PN16 / DN80 according to DIN 2633
- 3) drain connection R1/2"
- 4) cable gland

Type	lp max [mm]	l [mm]	Weight [kg]	Order-Nr.
po-dmh-80-125/6.0	820	1250	68	dmh 2 125 060
po-dmh-80-150/6.0	1070	1500	72	dmh 2 150 060
po-dmh-80-175/6.0	1320	1750	76	dmh 2 175 060
po-dmh-80-200/6.0	1570	2000	80	dmh 2 200 060
po-dmh-80-225/6.0	1820	2250	84	dmh 2 225 060
po-dmh-80-250/6.0	2070	2500	88	dmh 2 250 060
po-dmh-80-275/6.0	2320	2750	93	dmh 2 275 060
po-dmh-80-300/6.0	2570	3000	97	dmh 2 300 060

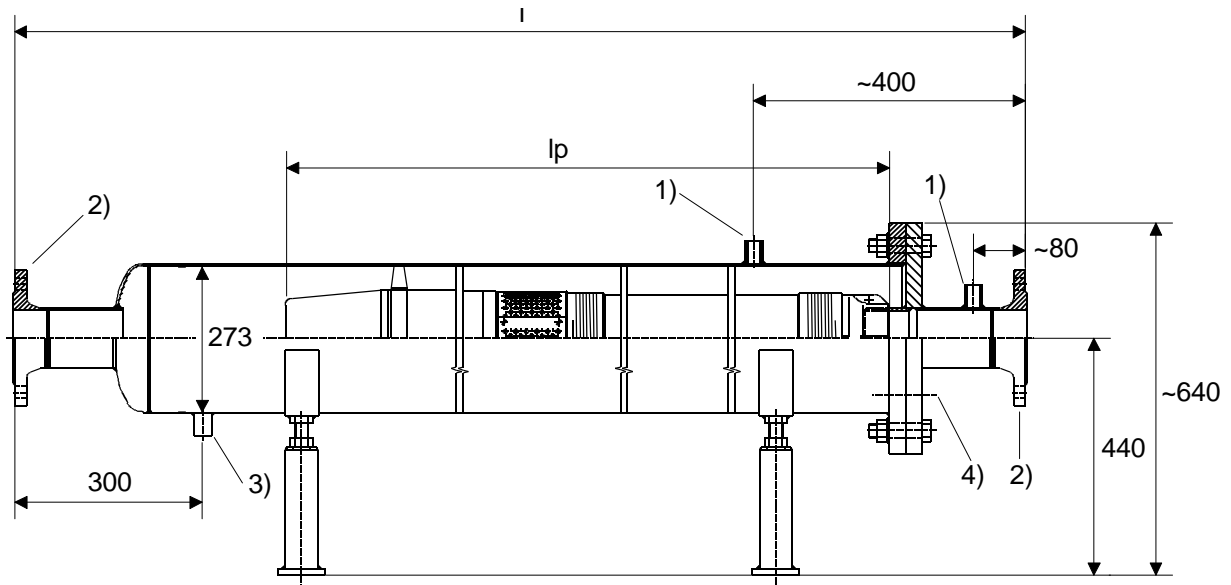
#### Accessories:

- manometer
- valves
- non return valves etc. on request
- special design for the direction of connection, dimensions of flanges and main dimensions available

Subject to alterations

### Pressure jackets, horizontal for po-so-.../8.2

- for increasing of pressure in pipeline nets in combination with **oddesse**-submersible motor pumps
- made of stainless steel 1.4571 (AISI 316)
- 



- 1) manometer connection / vent connection R1/2"
- 2) flange PN16 / DN100 according to DIN 2633 for po-so-40/8.2 and po-so-63/8.2
- 2) flange PN16 / DN125 according to DIN 2633 for po-so-100/8.2 and po-so-140/8.2
- 3) drain connection R1/2"
- 4) cable gland

Type	lp max [mm]	l [mm]	Weight [kg]	Order-Nr°
po-dmh-100-200/8.0	1560	2000	104	dmh 3 200 080
po-dmh-100-225/8.0	1810	2250	109	dmh 3 225 080
po-dmh-100-250/8.0	2060	2500	114	dmh 3 250 080
po-dmh-100-275/8.0	2310	2750	119	dmh 3 275 080
po-dmh-100-300/8.0	2560	3000	124	dmh 3 300 080
po-dmh-125-250/8.0	2055	2500	119	dmh 4 250 080
po-dmh-125-275/8.0	2305	2750	124	dmh 4 275 080
po-dmh-125-300/8.0	2555	3000	129	dmh 4 300 080
po-dmh-125-325/8.0	2805	3250	134	dmh 4 325 080
po-dmh-125-350/8.0	3055	3500	139	dmh 4 350 080

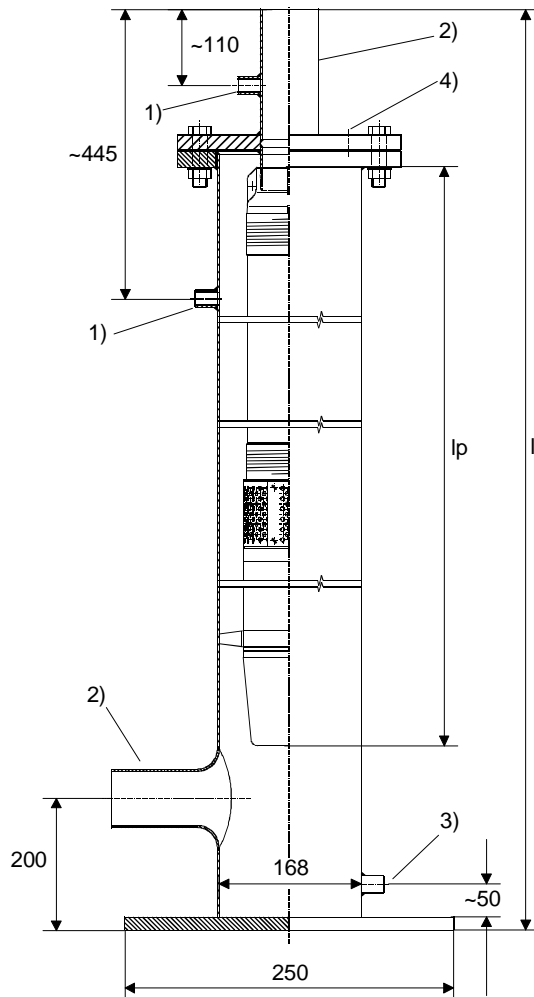
#### Accessories:

- manometer
- valves
- non return valves etc. on request
- special design for the direction of connection, dimensions of flanges and main dimensions available

Subject to alterations

### Pressure jackets, vertical for po-so-.../4.5 and po-ss-.../4.4

- for increasing of pressure in pipeline nets in combination with **oddesse**- submersible motor pumps
- made of stainless steel 1.4571 (AISI 316)



- 1) manometer connection / vent connection R1/2"
- 2) Whitworth- pipe thread, external R2" according to DIN 2998T1
- 3) drain connection R1/2"
- 4) cable gland

Type	lp max [mm]	l [mm]	Weigth [kg]	Order-Nr.
po-dmv-50-125/4.0	945	1250	46	dmv 1 125 040
po-dmv-50-150/4.0	1195	1500	49	dmv 1 150 040
po-dmv-50-175/4.0	1445	1750	52	dmv 1 175 040
po-dmv-50-200/4.0	1695	2000	55	dmv 1 200 040
po-dmv-50-225/4.0	1945	2250	58	dmv 1 225 040
po-dmh-50-250/4.0	2195	2500	61	dmv 1 250 040

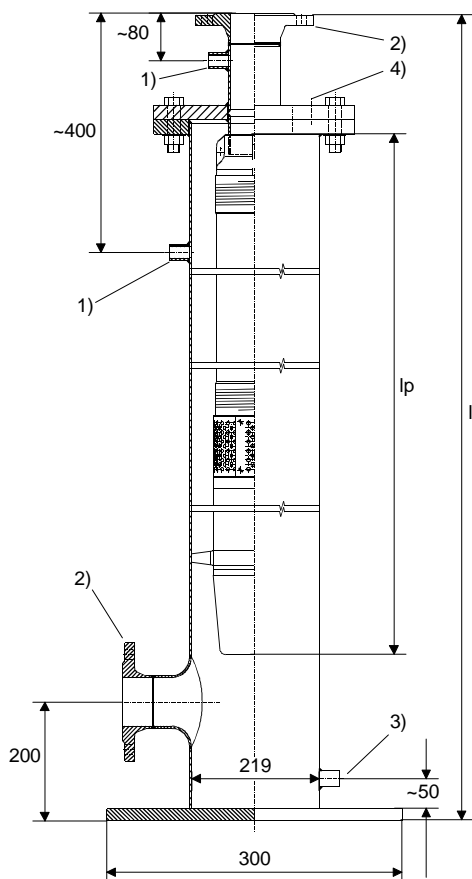
#### Accessories:

- manometer
- valves
- non return valves etc. on request
- special design for the direction of connection, dimensions of flanges and main dimensions available

Subject to alterations

### Pressure jackets, vertical for po-so-.../6.2 and po-ss-.../6.1

- for increasing of pressure in pipeline nets in combination with **oddesse**- submersible motor pumps
- made of stainless steel 1.4571 (AISI 316)



- 1) manometer connection / vent connection R1/2"
- 2) flange PN16 / DN80 according to DIN 2633
- 3) drain connection R1/2"
- 4) cable gland

Type	lp max [mm]	l [mm]	Weight [kg]	Order-Nr.
po-dmv-80-100/6.0	735	1000	66	dmv 2 100 060
po-dmv-80-125/6.0	985	1250	70	dmv 2 125 060
po-dmv-80-150/6.0	1235	1500	74	dmv 2 150 060
po-dmv-80-175/6.0	1485	1750	78	dmv 2 175 060
po-dmv-80-200/6.0	1735	2000	82	dmv 2 200 060
po-dmv-80-225/6.0	1985	2250	86	dmv 2 225 060
po-dmv-80-250/6.0	2235	2500	90	dmv 2 250 060
po-dmv-80-275/6.0	2485	2750	94	dmv 2 275 060

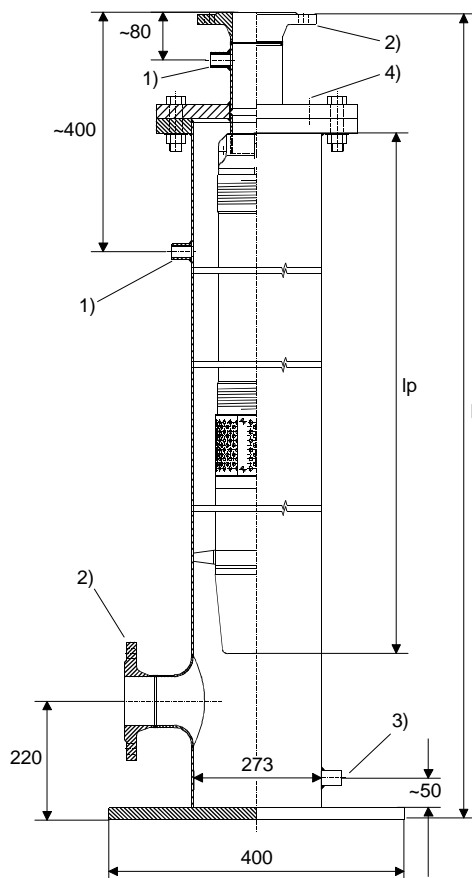
#### Accessories:

- manometer
- valves
- non return valves etc. on request
- special design for the direction of connection, dimensions of flanges and main dimensions available

Subject to alterations

### Pressure jackets, vertical for po-so-.../8.2

- for increasing of pressure in pipeline nets in combination with **oddesse**- submersible motor pumps
- made of stainless steel 1.4571 (AISI 316)



- 1) manometer connection / vent connection R1/2"
- 2) flange PN16 / DN100 according to DIN 2633 for po-so-40/8.2 and po-so-63/8.2
- 2) flange PN16 / DN125 according to DIN 2633 for po-so-100/8.2 and po-so-140/8.2
- 3) drain connection R1/2"
- 4) cable gland

Type	lp max [mm]	l [mm]	Weight [kg]	Order-Nr°
po-dmv-100-200/8.0	1725	2000	110	dmv 3 200 080
po-dmv-100-225/8.0	1975	2250	115	dmv 3 225 080
po-dmv-100-250/8.0	2225	2500	120	dmv 3 250 080
po-dmv-100-275/8.0	2475	2750	125	dmv 3 275 080
po-dmv-125-225/8.0	1970	2250	120	dmv 4 225 080
po-dmv-125-250/8.0	2220	2500	125	dmv 4 250 080
po-dmv-125-275/8.0	2470	2750	130	dmv 4 275 080
po-dmv-125-300/8.0	2720	3000	135	dmv 4 300 080
po-dmv-125-325/8.0	2970	3250	140	dmv 4 325 080

#### Accessories:

- manometer
- valves
- non return valves etc. on request
- special design for the direction of connection, dimensions of flanges and main dimensions available

Subject to alterations