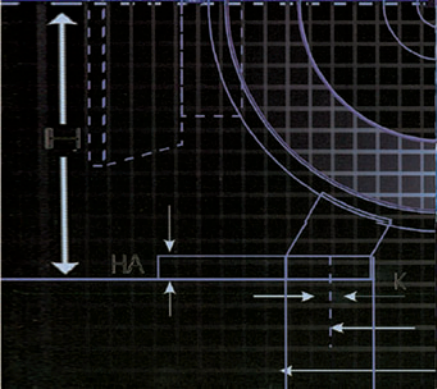


# JEMCO



  
**JEMCO**



# CERTIFICATE

IGNet and DQS GmbH

certifies that the organiza

ELECTRICAL MACHINES INDU

Office

Rd Alley, Khaled Islamboli St.  
Tehran - IRAN

CERTIFI

DQS GmbH

hereby certifies that th

ELECTRICAL MACHINES

on

No. 26.3 Rd Alley, Te

Terra

F

45\* KM Esfar

Esf

and Sales

has

all

d

r



Tel : (+9821) 88303041-5  
Fax : (+9821) 88830683  
P.O.B. 15875 - 9581

**Alliance**  
International Registrar, LLC

Hereby Certifies:

**Jovain Electrical Machines  
Industries (JEMCO)**

Located at:

45<sup>th</sup> Km of Esfarayen Road, Sabzevar, Iran.

To the

**ISO 9001:2008**

Standard and has successfully implemented a Quality Management System which has been registered by Alliance International Registrar, LLC.

SCOPE ISO9001:2008 for Design, Manufacturing & Sale of 3-Phases Induction Motors and Generators.

IAF Code: 19

NACE Code: DL311

Certification Number: 2041

Date of Certification: September 27, 2012

Expiration Date: September 26, 2013



*Sharon A. Kline*  
Sharon L. Kline  
Director of Certification  
Alliance International Registrar, LLC  
900 Foster Ave., Ste. 5A, Plymouth, ME 04170  
www.allianceregistrar.com/ir



Accreditation Board



Calibration Laboratories

EDITATION

Electrical Machines  
Industries (JEMCO)



and hereby confirms that the above company conforms to

Standard:- ISO/IEC17025:2005

ance to the requirements for the Competence of Testing & Calibration Laboratories for their for the location indicated herein

45<sup>th</sup> Km of Esfarayen Road, Sabzevar, Iran.

In the field of  
esting 3-Phases Induction Motors and Generators.

ed North America Div.

umber - ACC000003

Valid Issued- Nov. 12, 2011

Valid thru- Nov. 11, 2012

This certificate remains valid for the scope of Accreditation as specified in the annex subject to continued satisfactory compliance to the rules contained in the additional requirements of NAAB-ACC.

Web site: [www.jemcomotor.ir](http://www.jemcomotor.ir)  
E-mail: [sales@jemcomotor.ir](mailto:sales@jemcomotor.ir)

تلفن : ۰۳۰۴۱-۵۸۸۳  
نمابر : ۰۶۸۳-۸۸۸۳  
صندوق پستی : ۹۵۸۱-۱۵۸۷۵

# TYPE YR- MEDIUM VOLTAGE (6000V) WOUND ROTOR MOTORS

## TECHNICAL DATA



شرکت صنایع ماشینهای الکتریکی جوبین (جمکو)  
Jovain Electrical Machines Industries Co.(JEMCO)

Jovain Electrical Machines Industries Co.(JEMCO)

Type No.	Rated output	Frame size	Performance at rated output				Rated current at 6000 V	Rated voltage of rotor	Rated current of rotor	Rated torque	Break- down torque  for direct-on-line starting as multiples of rated torque	Weight approx  kg
			Rated speed	Efficiency $\eta$	Power factor $\cos\phi$							
			rev/min	%								
	KW	mm				A	V	A	Nm			
<b>1500 rev/min - 4poles</b>												
YR1351-4A0	220	355	1474	92.7	0.83	26	339	407	1425	1.8	2510	
YR1352-4A0	250	355	1474	93.0	0.84	30	365	430	1620	1.8	2590	
YR1353-4A0	280	355	1474	93.1	0.84	33	395	444	1814	1.8	2650	
YR1401-4A0	315	400	1476	93.2	0.85	37	397	491	2038	1.8	3020	
YR1402-4A0	355	400	1476	93.3	0.85	42	433	506	2297	1.8	3120	
YR1403-4A0	400	400	1477	93.5	0.85	46	478	516	2568	1.8	3240	
YR1404-4A0	450	400	1478	93.7	0.85	52	530	521	2907	1.8	3360	
YR1405-4A0	500	400	1478	93.9	0.85	58	597	512	3230	1.8	3490	
YR1451-4A0	560	450	1481	94.2	0.85	64	545	630	3611	1.8	4020	
YR1452-4A0	630	450	1482	94.5	0.86	71	597	647	4059	1.8	4210	
YR1453-4A0	710	450	1479	94.6	0.86	79	618	711	4584	1.8	4360	
YR1454-4A0	800	450	1482	94.7	0.87	90	703	698	5155	1.8	4430	
YR1501-4A0	900	500	1481	94.8	0.87	100	824	669	5803	1.8	5320	
YR1502-4A0	1000	500	1482	94.9	0.87	111	899	680	6443	1.8	5490	
YR1503-4A0	1120	500	1483	95.0	0.87	125	990	691	7212	1.8	5680	
YR1504-4A0	1250	500	1484	95.1	0.87	140	1098	693	7722	1.8	5880	
YR1561-4A0	1400	560	1486	95.2	0.87	156	1301	655	8996	1.8	6690	
YR1562-4A0	1600	560	1486	95.3	0.87	179	1429	680	10282	1.8	6890	
YR1563-4A0	1800	560	1487	95.4	0.87	200	1590	687	11559	1.8	7270	
<b>1000 rev/min - 6poles</b>												
YR1401-6A0	220	400	986	92.5	0.81	27	322	428	2131	1.8	3040	
YR1402-6A0	250	400	984	92.7	0.82	30	347	452	2426	1.8	3115	
YR1403-6A0	280	400	984	92.8	0.82	34	376	466	2717	1.8	3210	
YR1404-6A0	315	400	984	93.0	0.82	38	410	480	3057	1.8	3330	
YR1405-6A0	355	400	984	93.2	0.82	43	450	492	3445	1.8	3420	
YR1451-6A0	400	450	984	93.5	0.83	47	410	612	3882	1.8	3925	
YR1452-6A0	450	450	984	93.6	0.84	53	451	624	4367	1.8	4080	
YR1453-6A0	500	450	985	93.8	0.84	59	502	621	4847	1.8	4275	
YR1454-6A0	560	450	986	94.0	0.84	66	565	615	5423	1.8	4500	
YR1501-6A0	630	500	988	94.3	0.85	72	639	412	6089	1.8	5190	
YR1502-6A0	710	500	989	94.5	0.85	82	1042	418	6855	1.8	5350	
YR1503-6A0	800	500	988	94.7	0.85	92	1073	459	7732	1.8	5410	
YR1504-6A0	900	500	989	94.8	0.85	103	1218	454	8690	1.8	5700	
YR1561-6A0	1000	560	989	95.0	0.85	115	1250	490	9655	1.8	6630	
YR1562-6A0	1120	560	989	95.1	0.85	128	1323	519	10814	1.8	6810	
YR1563-6A0	1250	560	989	95.2	0.85	143	1403	549	12069	1.8	6860	
<b>750 rev/min - 8poles</b>												
YR1401-8A0	220	400	735	92.2	0.78	28	480	288	2858	1.8	3230	
YR1402-8A0	250	400	735	92.3	0.78	32	516	305	3248	1.8	3340	
YR1403-8A0	280	400	735	92.5	0.79	35	559	315	3638	1.8	3450	
YR1451-8A0	315	450	737	92.6	0.8	40	559	352	4081	1.8	3940	
YR1452-8A0	355	450	737	92.7	0.8	44	611	364	4600	1.8	4115	
YR1453-8A0	400	450	737	93.0	0.8	50	671	372	5183	1.8	4260	
YR1454-8A0	450	450	737	93.2	0.81	55	748	375	5830	1.8	4470	
YR1501-8A0	500	500	739	93.5	0.81	60	775	402	6461	1.8	5200	
YR1502-8A0	560	500	739	93.7	0.81	67	862	404	7236	1.8	5400	
YR1503-8A0	630	500	740	93.9	0.81	77	967	404	8130	1.8	5600	
YR1504-8A0	710	500	739	94.0	0.81	85	1015	435	9174	1.8	5200	
YR1561-8A0	800	560	741	94.2	0.81	98	1103	448	10309	1.8	6770	
YR1562-8A0	900	560	741	94.3	0.81	109	1189	468	11598	1.8	6810	
YR1563-8A0	1000	560	741	94.4	0.81	121	1287	480	12887	1.8	6940	

Stator Voltage from 3000 UP to 6600 V on Request

\* In these motor series, the range of voltage 3-11 KV can be manufactured.

\* Motor up to 10MW can be manufactured according to customer order

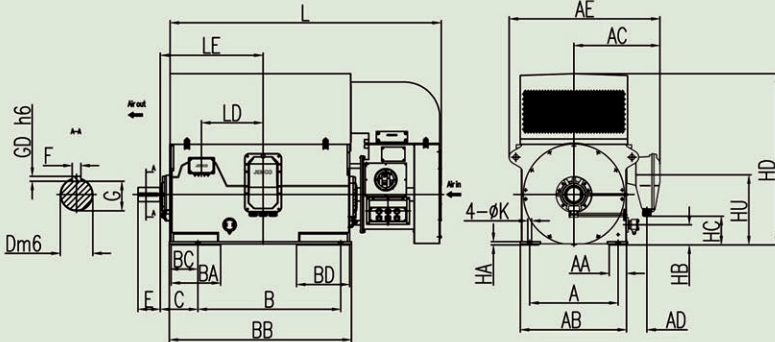


# TYPE YR- MEDIUM VOLTAGE (6000V) WOUND ROTOR MOTORS

## DIMENSIONS



شرکت صنایع ماشینهای الکتریکی جوبین (جمکو)  
Jovain Electrical Machines Industries Co.(JEMCO)



Motor Specification			Dimension symbols																																																						
Frame size	Type NO.	Power (Kw)	poles	A	B	C	D	E	F	G	H	K	L	AA	AB	AC	AD	AE	BA	BB	BC	BD	GD	HA	HB	HC	HD	HU	LD	LE																											
355	YR1351-4A0	220	4	630	900	315	100	210	28	90	355	28	2861	160	870	798	227	1333	460	1570	180	550	16	35	220	67	1174	630	521	1020																											
	YR1352-4A0	250																													560																										
	YR1353-4A0	280																													540																										
400	YR1401-4A0	315	4	710	1000	335	110	210	28	100	400	35	2782	160	920	820	227	1390	455	1480	230	555	16	35	220	164	1300	720	563	1020																											
	YR1402-4A0	355																													555																										
	YR1403-4A0	400																													535																										
	YR1404-4A0	450																													550																										
	YR1405-4A0	500																													575																										
	YR1401-6A0	220																													520																										
	YR1402-6A0	250	430									8	2962	160	920	820	227	1390	430	1560	230	555	520	1660	420	430	420	440	420	520	540	520	508	950																							
	YR1403-6A0	280	530																																																						
	YR1404-6A0	315	555																																																						
	YR1405-6A0	355	530																																																						
	YR1401-8A0	220	520																																																						
	YR1402-8A0	250	540																																																						
YR1403-8A0	280	520																																																							
450	YR1451-4A0	560	4	800	1120	355		210	109	119	35	2848	150	1000	860	227	1480	430	1520	210	510	18	36	220	214	1451	770	493	950																												
	YR1452-4A0	630																												1620																											
	YR1453-4A0	710																												1670																											
	YR1454-4A0	800																												1700																											
	YR1451-6A0	400																												1500																											
	YR1452-6A0	450																												1550																											
	YR1453-6A0	500	1620																																																						
	YR1454-6A0	560	1700									8	2918	1500	1550	1620	1700	1550	1620	1670	508	965																																			
	YR1451-8A0	315	2918																																																						
	YR1452-8A0	355	2988																																																						
	YR1453-8A0	400	3038																																																						
	YR1454-8A0	450	3113																																																						
YR1501-4A0	900	3170																																																							
500	YR1502-4A0	1000	4	900	1250	475	250	36	128	42	3070	170	1120	923	227	1588	480	460	580	330	560	36	220	437	1629	1000	664	1165																													
	YR1503-4A0	1120																											520																												
	YR1504-4A0	1250																											490																												
	YR1501-6A0	630																											500																												
	YR1502-6A0	710																											480																												
	YR1503-6A0	800																											460																												
	YR1504-6A0	900	480								8	3070	170	1120	923	227	1588	480	460	580	330	560	500	460	580	500	460	560	20	497	1913	1060	590																								
	YR1503-8A0	630	490																																																						
	YR1504-8A0	710	430																																																						
	YR1561-4A0	1400	630																															4	1000	1400	500	300	40	147	42	3512	195	1200	965	227	1690	525	2100	320	730	20	497	1913	1060	590	1460
	YR1562-4A0	1600	600																																																						
	YR1563-4A0	1800	550																																																						
YR1561-6A0	1000	575																																																							
YR1562-6A0	1120	525																																																							
YR1563-6A0	1250	550																																																							
YR1561-8A0	800	575	8	3482	195	1200	965	227	1690	525	2040	340	675	545	515	615	675	615	22	497	1913	1060	590	1490																																	
YR1562-8A0	900	545																																																							
YR1563-8A0	1000	615																																																							

\* Production of every kind of cooling system is possible according to IEC.(such as IC511)