

NOCCHI EASYBOOST

RESIDENTIAL - PRESSURE BOOSTERS WITH PRESSURE SWITCH CONTROL

COMPACT, ROBUST, HIGH HYDRAULIC PERFORMANCE, RELIABLE

NEW

These are units for the automatic pressure boosting on water distribution networks with single phase power supply, comprising: 2 electric pumps, electrical panel, base, suction and delivery manifolds, pressure switches, pressure gauge, delivery check valve.

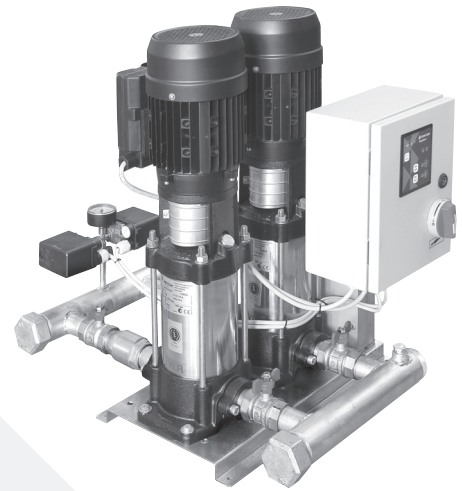
OPERATION DESCRIPTION

The pumps are controlled by two pressure switches with adjustable settings, connected to the electronic board via an electrical panel for:

- sequential start-up of the pumps
- inversion of start-up sequence
- provision for protection against dry-running
- timer settings (from 0 to 180").

When the mains pressure reaches the value for closure of the electric contact

of pressure switch no. 1, the pump is started up. If the pressure continues to fall, when the closing value of the second pressure switch is reached, the second pump is started up. When the mains pressure value increases, the pressure switches open their contact, leading to shutdown of the relative pump. At the end of each cycle, the automatic inverter changes the pump start-up sequence (pressure switch no. 1 associated with pump no. 1, then with pump no.2 in the next cycle, and so on).



NUMBER OF PUMPS		MAXIMUM FLOW RATE	
Main	Pilot	L/min	m ³ /h
2	-	from 200 to 360	from 12 to 21.6

APPLICATION DATA

APPLICATION DATA	CB	MULTINOX-XC	MULTINOX-A	MULTINOX-VE	DHR	VLR 2B	VLR 4
Maximum flow rate (m ³ /h)	16.8	12	19.2	19.2	28.8	6	14.4
Maximum head (m.c.a.)	60.5	53	72	83	63	125	109
Maximum operating pressure	9 bar	7	9 bar	9 bar. 12 bar (mxv 200/10)	10 bar	16 bar	16 bar
Power supply voltage	1-230 V / 3-400 V						
Frequency	50 Hz						
Control panel protection rating	IP55				IP54		
Electric pump protection rating	IP44				IP55		
Ambient temperature	+ 40°C			+ 50°C		+ 50°C	

NOCCHI EASYBOOST

PRESSURE BOOSTERS WITH PRESSURE SWITCH CONTROL

ELECTRIC PUMP

- 2 CB - Twin impeller centrifugal on horizontal axis.
- 2 MULTINOX XC - Multi-cell centrifugal on horizontal axis.
- 2 MULTINOX A - Multi-cell self-priming centrifugal on horizontal axis.
- 2 MULTINOX VE - Multi-cell centrifugal on vertical axis.
- 2 DHR - Multi-cell centrifugal on vertical axis.
- 2 VLR - Multi-cell centrifugal on vertical axis.

BASE

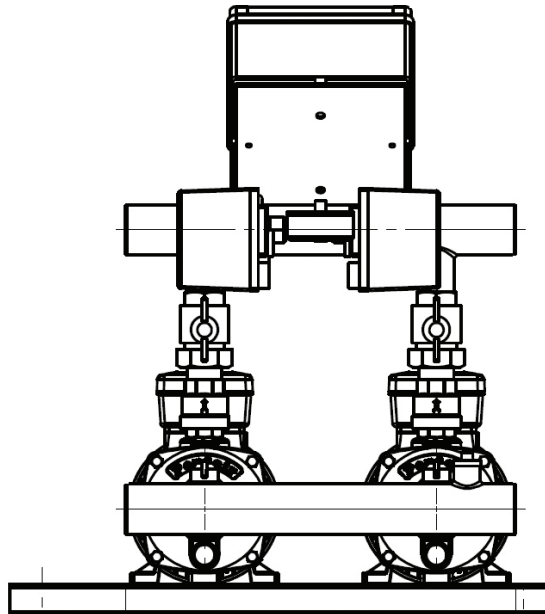
- In galvanized sheet steel

SUCTION MANIFOLD

- 2 brass ball valves
- 1 water filling hose

DELIVERY MANIFOLD

- 2 brass ball valves
- 2 check valves
- 1 pressure gauge
- 2 pressure switches



NOCCHI EASYBOOST

PRESSURE BOOSTERS WITH PRESSURE SWITCH CONTROL

SINGLE PHASE ELECTRICAL PANEL

ELECTRICAL PANEL

- IP65 plastic enclosure
- Fuses
- Multi-function electronic board with integrated transformer for auxiliary circuit.
- Start-up relay for each pump.
- Overload protection by means of electronic board.
- Trimmer to set delay time from 0 to 180 sec, after opening of pressure switch contact (for each pump).

MAIN FUNCTIONS

- Sequential inversion of pump start-up at the end of each work cycle.
- ON/OFF control of tank level for first collection or pressure in supply pipeline via a float switch or other differential pressure switch.
- Settable pump timer.

SIGNALS AND CONTROLS

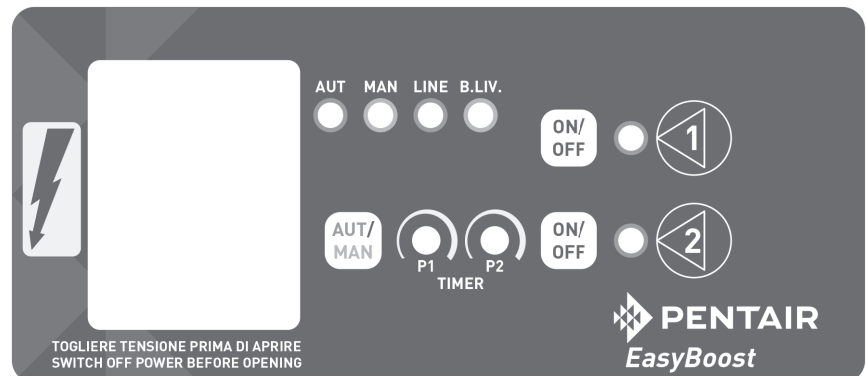
- Manual-Automatic button
- ON/OFF buttons for each pump
- Power ON indicator led
- Pump running indicator led
- Indicator led to signal low level in tank on first collection or low pressure on suction manifold.
- Manual/Automatic mode indicator leds
- BMS with contacts for each pump indicating pump running and pump overload.

EXTERNAL CONTROL DEVICES

- Two differential ON/OFF pressure switches.

EXTERNAL CONTROL DEVICES

- ON/OFF float switch installed in the water collection tank, or
- Inverse pressure switch inserted in water supply line (aqueduct).



NOCCHI EASYBOOST

PRESSURE BOOSTERS WITH PRESSURE SWITCH CONTROL

THREE PHASE ELECTRICAL PANEL

ELECTRICAL PANEL

- IP 54 plastic enclosure
- Main switch
- Electronic boards
- Fuses and contactors for each pump
- Overload protection by means of electronic board
- Transformer with fuses for auxiliary circuit

MAIN FUNCTIONS

- Sequential inversion of pump start-up at the end of each work cycle.
- ON/OFF control of tank level for first collection or pressure in supply pipeline via a float switch or other differential pressure switch.
- Timer on last pump, settable between 0 and 180 sec., after opening of pressure switch operation contact.

SIGNALS AND CONTROLS

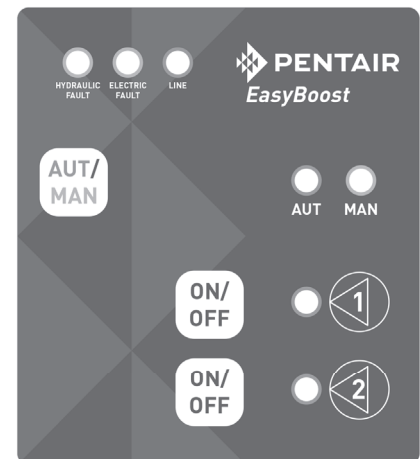
- M-0-T button (Manual - 0 - Automatic)
- ON/OFF buttons for each pump
- Power ON indicator led
- Pump running indicator led
- Indicator led to signal low level in tank on first collection or low pressure on suction manifold.
- Overload indicator led
- Manual/Automatic mode indicator leds
- BMS with contacts for each pump indicating pump running, pump overload, and water supply failure.
- RS232/RS485 communication.

EXTERNAL CONTROL DEVICES

- Two differential ON/OFF pressure switches.

EXTERNAL CONTROL DEVICES

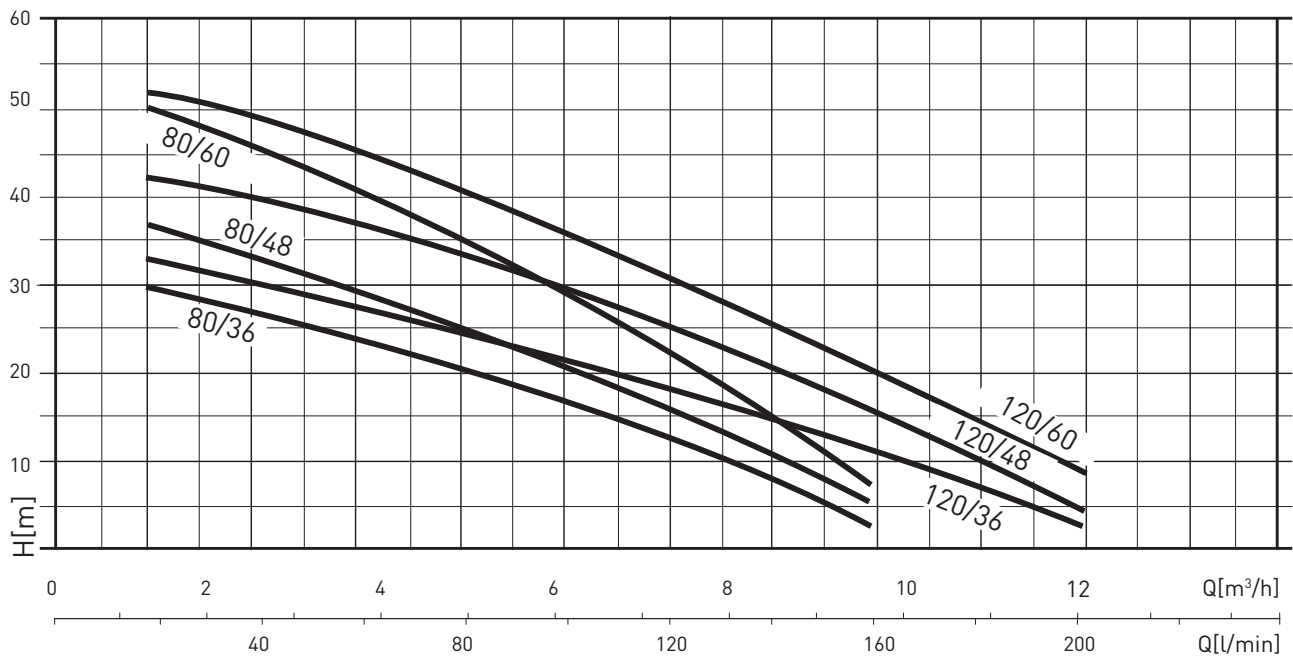
- ON/OFF float switch installed in the water collection tank, or
- Inverse pressure switch inserted in water supply line (aqueduct).



NOCCHI EASYBOOST - MULTINOX-XC

PRESSURE BOOSTERS WITH PRESSURE SWITCH CONTROL

HYDRAULIC PERFORMANCE



PERFORMANCE TABLE

MODEL	kW	L/min	20	40	60	80	100	120	160	200
		m³/h	1.2	2.4	3.6	4.8	6	7.2	9.6	12
EASY20/MULTINOX-XC 80/36	2x0.3	m.c.a./m.w.c.	30	27	24	21	17	13	3	
EASY20/MULTINOX-XC 80/48	2x0.55		37	34	30	25	21	15	4	
EASY20/MULTINOX-XC 80/60	2x0.8		50	46	42	36	30	22	7	
EASY20/MULTINOX-XC 120/36	2x0.55		33	31	29	26	22	19	10	2
EASY20/MULTINOX-XC 120/48	2x0.75		42	39	37	34	30	25	15	4
EASY20/MULTINOX-XC 120/60	2x0.9		53	49	47	42	38	32	20	7

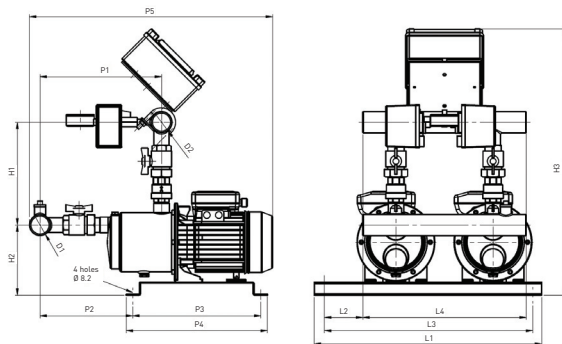
NOCCHI EASYBOOST - MULTINOX-XC

PRESSURE BOOSTERS WITH PRESSURE SWITCH CONTROL

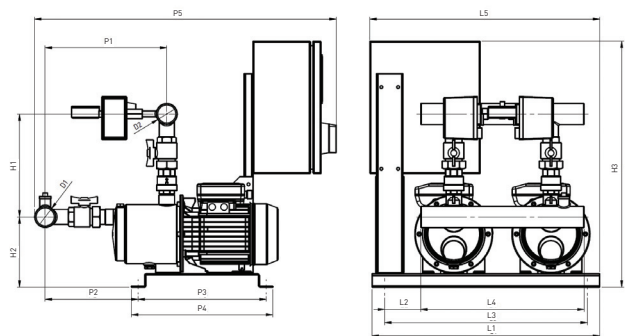
OVERALL DIMENSIONS AND WEIGHTS

MODEL	Dimensions (mm)															Weight (kg)	
	L1	L2	L3	L4	L5	P1	P2	P3	P4	P5	H1	H2	H3	D1	D2	220V	400V
EASY20/MULTINOX-XC 80/36M-GI	515	95	485	370	X	254	189	290	320	508	233	160	605	1-1/2"	1-1/2"	31	37
EASY20/MULTINOX-XC80/36T-GI	515	95	485	370	520	254	189	290	320	678	233	160	560	1-1/2"	1-1/2"	31	37
EASY20/MULTINOX-XC 80/48M-GI	515	95	485	370	X	254	189	290	320	508	233	160	605	1-1/2"	1-1/2"	35	41
EASY20/MULTINOX-XC80/48T-GI	515	95	485	370	520	254	189	290	320	678	233	160	560	1-1/2"	1-1/2"	35	41
EASY20/MULTINOX-XC 80/60M-GI	515	95	485	370	X	276	211	290	320	552	233	160	605	1-1/2"	1-1/2"	39	45
EASY20/MULTINOX-XC 80/60T-GI	515	95	485	370	520	276	211	290	320	700	233	160	560	1-1/2"	1-1/2"	39	45
EASY20/MULTINOX-XC 120/36M-GI	515	95	485	370	X	254	189	290	320	508	233	160	605	1-1/2"	1-1/2"	36	42
EASY20/MULTINOX-XC 120/36T-GI	515	95	485	370	520	254	189	290	320	678	233	160	560	1-1/2"	1-1/2"	36	42
EASY20/MULTINOX-XC 120/48M-GI	515	95	485	370	X	254	189	290	320	530	233	160	605	1-1/2"	1-1/2"	38	44
EASY20/MULTINOX-XC 120/48T-GI	515	95	485	370	520	254	189	290	320	678	233	160	560	1-1/2"	1-1/2"	38	44
EASY20/MULTINOX-XC 120/60M-GI	515	95	485	370	X	276	211	290	320	552	233	160	605	1-1/2"	1-1/2"	3	45
EASY20/MULTINOX-XC 120/60T-GI	515	95	485	370	520	276	211	290	320	700	233	160	560	1-1/2"	1-1/2"	3	45

SINGLE PHASE - MULTINOX-XC M



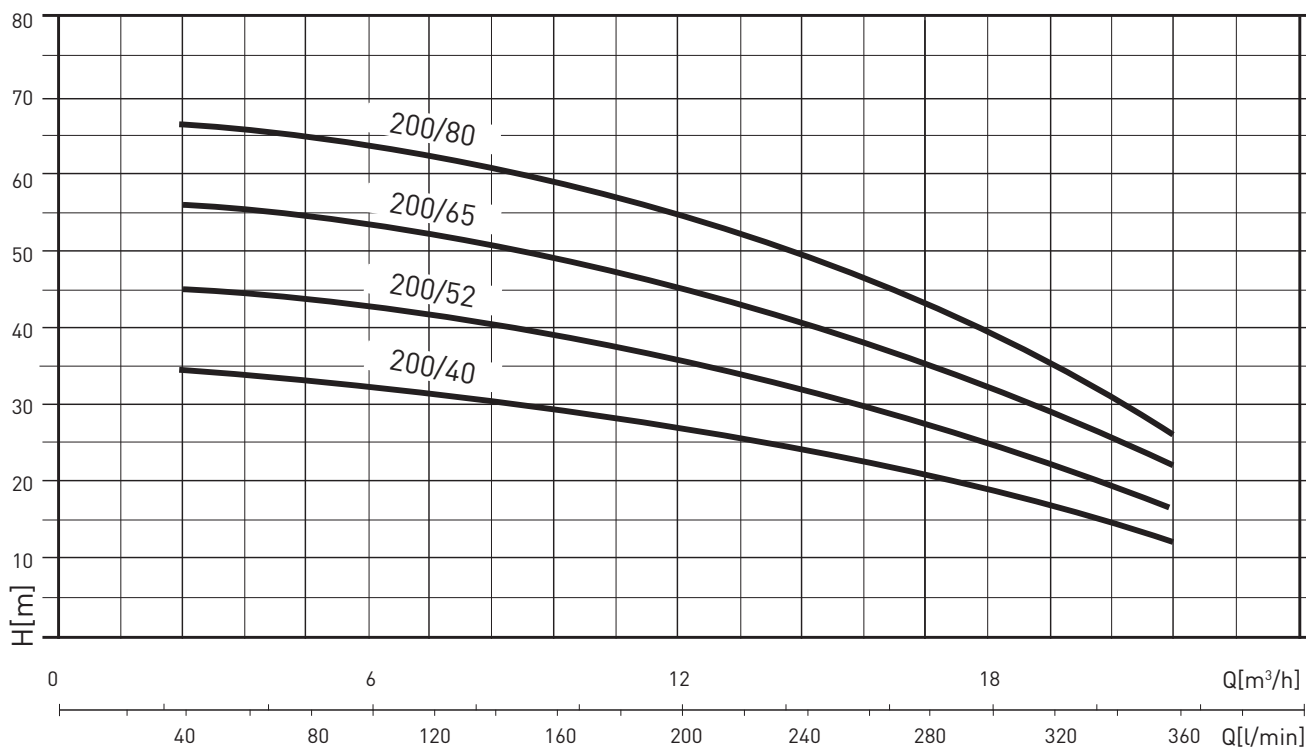
THREE PHASE - MULTINOX-XC T



NOCCHI EASYBOOST - MULTINOX-A

PRESSURE BOOSTERS WITH PRESSURE SWITCH CONTROL

HYDRAULIC PERFORMANCE



PERFORMANCE TABLE

MODEL	kW	L/min	0	40	120	200	280	360
		m³/h	0	2.4	7.2	12	16.8	21.6
EASY20/MULTINOX-A 200/40	2x1	m.c.a./m.w.c.	35	34	32	28	22	13
EASY20/MULTINOX-A 200/52	2x1.2		47	45	43	37	29	18
EASY20/MULTINOX-A 200/65	2x1.5		58	56	53	46	36	22
EASY20/MULTINOX-A 200/80	2x1.7		68	67	64	55	43	26

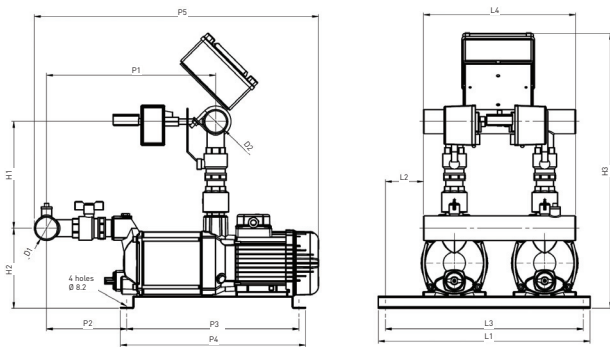
NOCCHI EASYBOOST - MULTINOX-A

PRESSURE BOOSTERS WITH PRESSURE SWITCH CONTROL

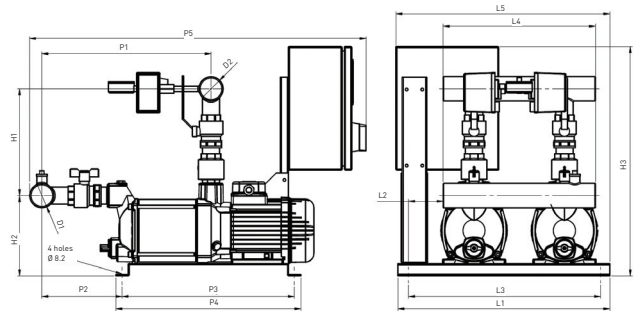
OVERALL DIMENSIONS AND WEIGHTS

MODEL	Dimensions (mm)															Weight (kg)	
	L1	L2	L3	L4	L5	P1	P2	P3	P4	P5	H1	H2	H3	D1	D2	220V	400V
EASY20/MULTINOX-A 200/40M-GI	515	95	485	370	X	331	114	420	450	611	260	195	670	2"	2"	49	55
EASY20/MULTINOX-A 200/40T-GI	515	95	485	370	520	331	114	420	450	740	260	195	560	2"	2"	49	55
EASY20/MULTINOX-A 200/52M-GI	515	95	485	370	X	358	141	420	450	638	260	195	670	2"	2"	53	59
EASY20/MULTINOX-A 200/52T-GI	515	95	485	370	520	358	141	420	450	766	260	195	560	2"	2"	53	59
EASY20/MULTINOX-A 200/65M-GI	515	95	485	370	X	385	168	420	450	665	260	195	670	2"	2"		63
EASY20/MULTINOX-A 200/65T-GI	515	95	485	370	520	385	168	420	450	794	260	195	560	2"	2"		63
EASY20/MULTINOX-A 200/80T-GI	515	95	485	370	520	412	195	420	450	820	260	195	560	2"	2"		67

SINGLE PHASE - MULTINOX-A M



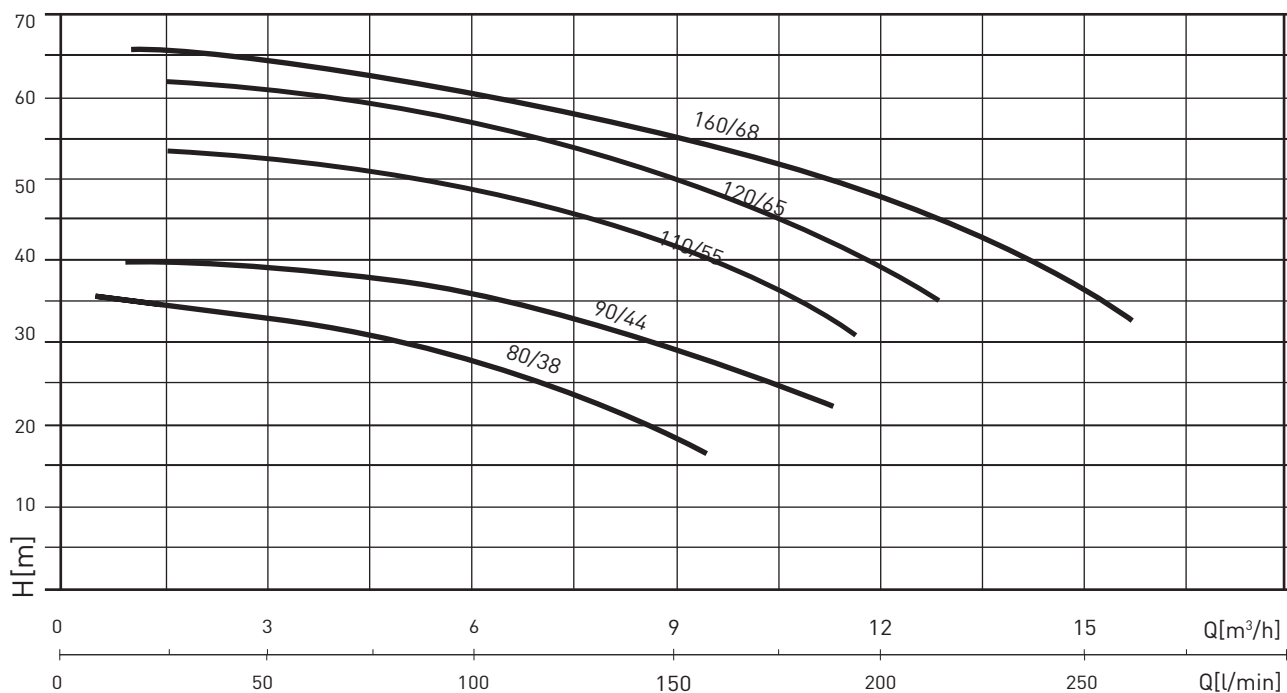
THREE PHASE - MULTINOX-A T



NOCCHI EASYBOOST - CB

PRESSURE BOOSTERS WITH PRESSURE SWITCH CONTROL

HYDRAULIC PERFORMANCE



PERFORMANCE TABLE

MODEL	kW	L/min	40	80	100	160	180	200	220	280
		m³/h	2.4	4.8	6	9.6	10.8	12	13.2	16.8
EASY20/CB 80/38	2x0.55	m.c.a./m.w.c.	33	30	28	17				
EASY20/CB 90/44	2x0.74		40	37	35	27	21			
EASY20/CB 110/55	2x1.10		51	49	47	38	33	28		
EASY20/CB 120/65	2x1.50		61	59	57	50	47	40	33	
EASY20/CB 160/68	2x2.20			61	59	54	52	49	45	32

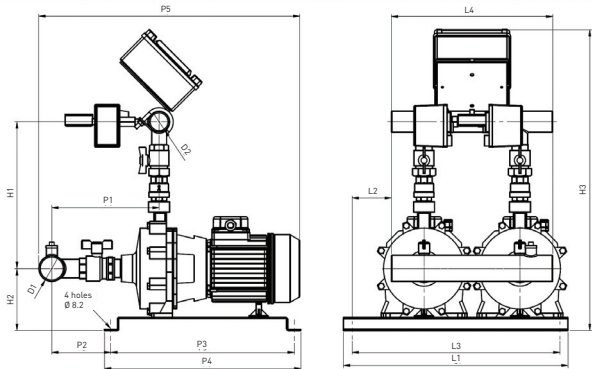
NOCCHI EASYBOOST - CB

PRESSURE BOOSTERS WITH PRESSURE SWITCH CONTROL

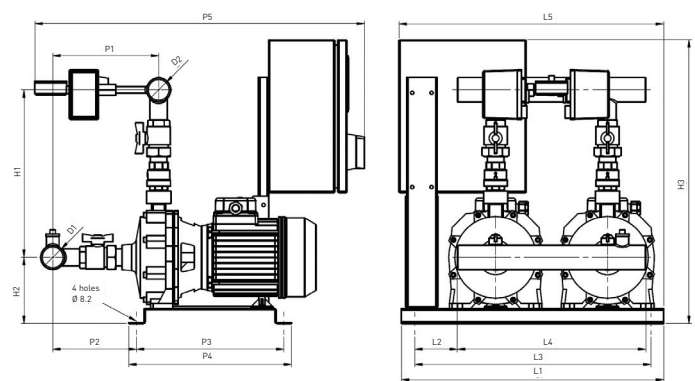
OVERALL DIMENSIONS AND WEIGHTS

MODEL	Dimensions (mm)															Weight (kg)	
	L1	L2	L3	L4	L5	P1	P2	P3	P4	P5	H1	H2	H3	D1	D2	220V	400V
EASY20/CB 80/38M-GI	515	95	485	370	X	209	165	290	320	542	328	130	671	1-1/2"	1-1/2"	34	40
EASY20/CB 80/38T-GI	515	95	485	370	520	209	165	290	320	652	328	130	560	1-1/2"	1-1/2"	34	40
EASY20/CB 90/44M-GI	515	95	485	370	X	209	165	290	320	542	328	130	671	1-1/2"	1-1/2"	42	48
EASY20/CB 90/44T-GI	515	95	485	370	520	209	165	290	320	652	328	130	560	1-1/2"	1-1/2"	42	48
EASY20/CB 110/55M-GI	515	95	485	370	X	246	135	420	450	600	335	142	690	2"	1-1/2"	62	68
EASY20/CB 110/55T-GI	515	95	485	370	520	246	135	420	450	758	335	142	560	2"	1-1/2"	62	68
EASY20/CB 120/65M-GI	515	95	485	370	X	246	135	420	450	600	335	142	690	2"	1-1/2"		70
EASY20/CB 120/65T-GI	515	95	485	370	520	246	135	420	450	758	335	142	560	2"	1-1/2"		70
EASY20/CB 160/68T-GI	515	95	485	370	520	246	135	420	450	758	335	142	560	2"	1-1/2"	63	69

SINGLE PHASE - CB M



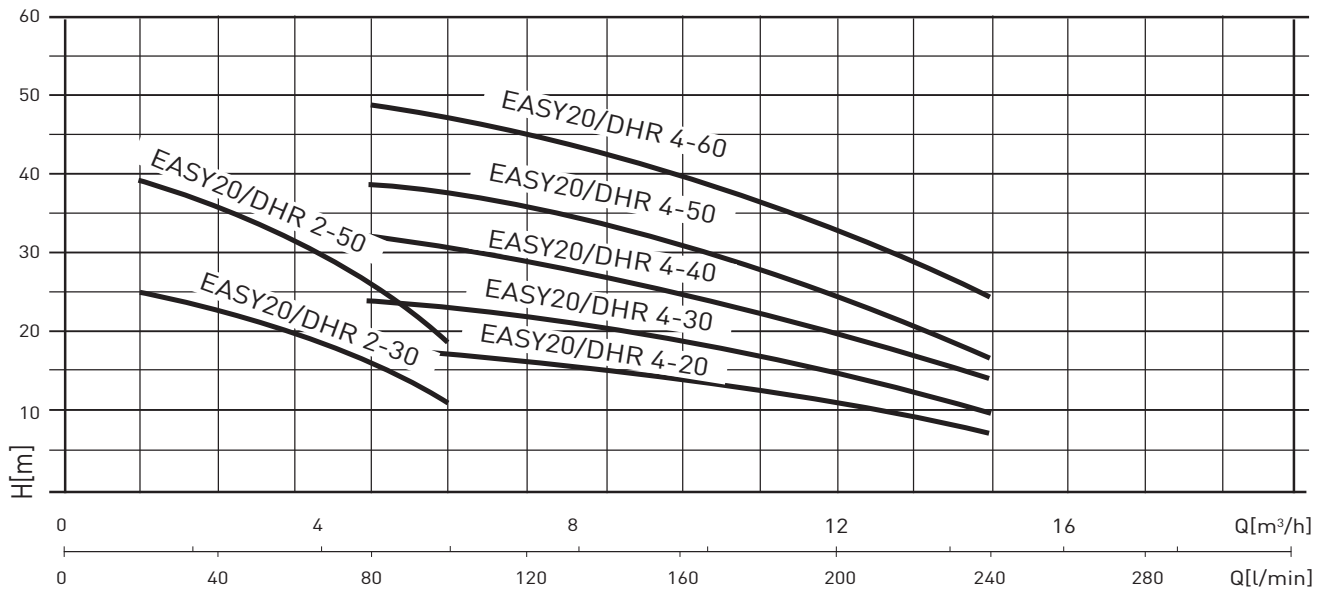
THREE PHASE - CB T



NOCCHI EASYBOOST - DHR 2/4

PRESSURE BOOSTERS WITH PRESSURE SWITCH CONTROL

HYDRAULIC PERFORMANCE



PERFORMANCE TABLE

MODEL	kW	L/min	20	60	80	100	160	200	240
		m ³ / h	1.2	3.6	4.8	6	9.6	12	14.4
EASY20/DHR 2-30	2x0.30	m.c.a. / m.w.c.	25	19	16	12			
EASY20/DHR 2-50	2x0.50		39	30	23	16			
EASY20/DHR 4-20	2x0.37				17	16	13	11	7
EASY20/DHR 4-30	2x0.5				24	23	18	14	10
EASY20/DHR 4-40	2x0.70				32	30	25	20	14
EASY20/DHR 4-50	2x0.90				39	38	31	25	17
EASY20/DHR 4-60	2x1.2				49	47	41	34	25

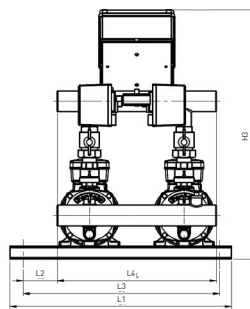
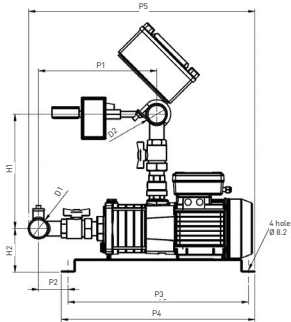
NOCCHI EASYBOOST - DHR 2/4

PRESSURE BOOSTERS WITH PRESSURE SWITCH CONTROL

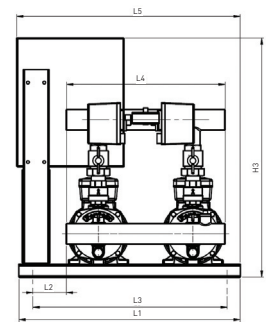
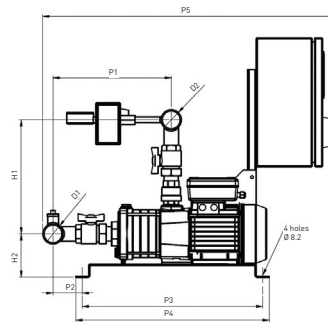
OVERALL DIMENSIONS AND WEIGHTS

MODEL	Dimensions (mm)															Weight (kg)	
	L1	L2	L3	L4	L5	P1	P2	P3	P4	P5	H1	H2	H3	D1	D2	220V	400V
EASY20/DHR 2-30M-GI	515	95	485	370	X	311	105	420	450	720	265	100	578	1-1/2"	1-1/2"	32	38
EASY20/DHR 2-30T-GI	515	95	485	370	520	311	105	420	450	723	265	100	560	1-1/2"	1-1/2"	32	38
EASY20/DHR 2-50M-GI	515	95	485	370	X	275	69	420	450	685	265	100	578	1-1/2"	1-1/2"	35	41
EASY20/DHR 2-50T-GI	515	95	485	370	520	275	69	420	450	687	265	100	560	1-1/2"	1-1/2"	35	41
EASY20/DHR 4-20M-GI	515	95	485	370	X	357	30	420	450	524	267	110	590	2"	1-1/2"	34	40
EASY20/DHR 4-20T-GI	515	95	485	370	520	357	30	420	450	654	267	110	560	2"	1-1/2"	34	40
EASY20/DHR 4-30M-GI	515	95	485	370	X	357	57	420	450	551	267	110	590	2"	1-1/2"	34	40
EASY20/DHR 4-30T-GI	515	95	485	370	520	357	57	420	450	681	267	110	560	2"	1-1/2"	34	40
EASY20/DHR 4-40M-GI	515	95	485	370	X	357	84	420	450	578	267	110	590	2"	1-1/2"	36	42
EASY20/DHR 4-40T-GI	515	95	485	370	520	357	84	420	450	708	267	110	560	2"	1-1/2"	36	42
EASY20/DHR 4-50M-GI	515	95	485	370	X	357	111	420	450	605	267	110	590	2"	1-1/2"	40	46
EASY20/DHR 4-50T-GI	515	95	485	370	520	357	111	420	450	735	267	110	560	2"	1-1/2"	40	46
EASY20/DHR 4-60M-GI	515	95	485	370	X	357	138	420	450	632	267	110	590	2"	1-1/2"	46	52
EASY20/DHR 4-60T-GI	515	95	485	370	520	357	138	420	450	762	267	110	560	2"	1-1/2"	46	52

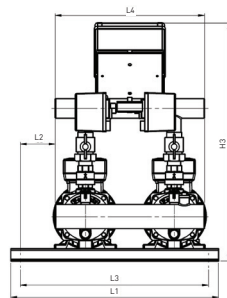
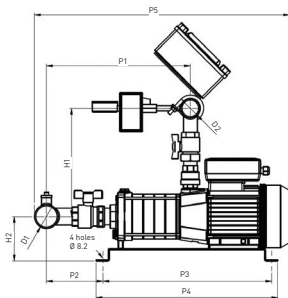
SINGLE PHASE - DHR 2- M



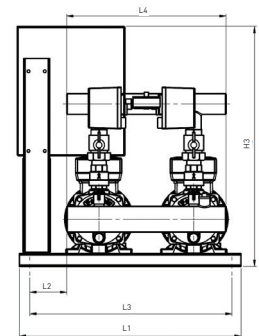
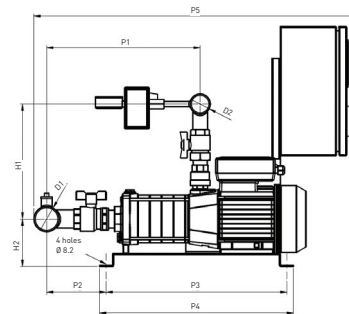
THREE PHASE - DHR 2-4J T



SINGLE PHASE - DHR 4- M



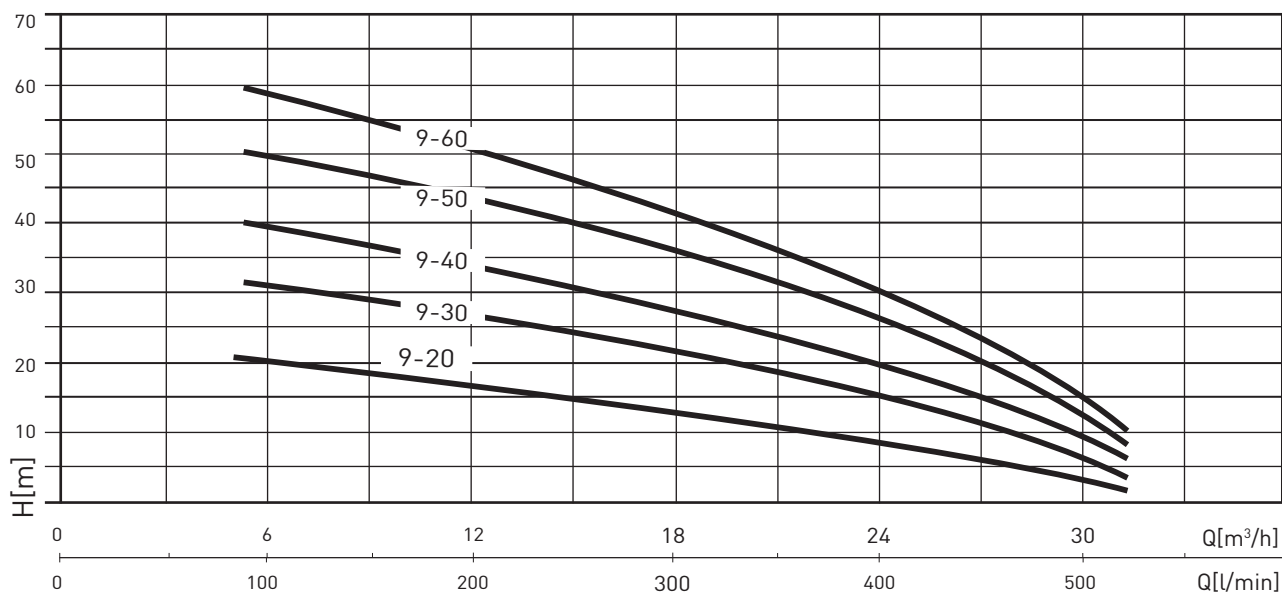
THREE PHASE - DHR



NOCCHI EASYBOOST - DHR 9

PRESSURE BOOSTERS WITH PRESSURE SWITCH CONTROL

HYDRAULIC PERFORMANCE



PERFORMANCE TABLE

MODEL	kW	L/min	80	160	240	320	400	480
		m³/h	4.8	9.6	14.4	19.2	24	28.8
EASY20/DHR 9-20	2x0.65	m.c.a. / m.w.c.	20	19	16	13	9	5
EASY20/DHR 9-30	2x0.95		31	29	26	21	16	9
EASY20/DHR 9-40	2x1.3		40	38	33	27	19	10
EASY20/DHR 9-50	2x1.6		51	49	43	36	26	14
EASY20/DHR 9-60	2x1.9		60	56	49	40	29	14

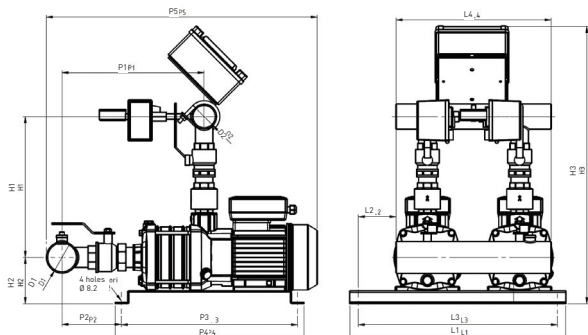
NOCCHI EASYBOOST - DHR 9

PRESSURE BOOSTERS WITH PRESSURE SWITCH CONTROL

OVERALL DIMENSIONS AND WEIGHTS

MODEL	Dimensions (mm)															Weight (kg)	
	L1	L2	L3	L4	L5	P1	P2	P3	P4	P5	H1	H2	H3	D1	D2	220V	400V
EASY20/DHR 9-20M-GI	515	95	485	370	X	280	82	420	450	588	110	335	660	2-1/2"	2"	54	54
EASY20/DHR 9-20T-GI	515	95	485	370	520	280	82	420	450	713	110	335	560	2-1/2"	2"	54	54
EASY20/DHR 9-30M-GI	515	95	485	370	X	280	82	420	450	588	110	335	660	2-1/2"	2"	55	55
EASY20/DHR 9-30T-GI	515	95	485	370	520	280	82	420	450	713	110	335	560	2-1/2"	2"	55	55
EASY20/DHR 9-40M-GI	515	95	485	370	X	310	112	420	450	618	110	335	660	2-1/2"	2"	61	57
EASY20/DHR 9-40T-GI	515	95	485	370	520	310	112	420	450	743	110	335	560	2-1/2"	2"	61	57
EASY20/DHR 9-50M-GI	515	95	485	370	X	340	142	420	450	648	110	335	660	2-1/2"	2"		62
EASY20/DHR 9-50T-GI	515	95	485	370	520	340	142	420	450	773	110	335	560	2-1/2"	2"		62
EASY20/DHR 9-60T-GI	515	95	485	370	520	370	172	420	450	803	110	335	560	2-1/2"	2"		65

SINGLE PHASE - DHR 9- M



THREE PHASE - DHR 9- T

