

# NOCCHI MCP

## ELECTRIC MULTI-CELL CENTRIFUGAL PUMPS FOR SWIMMING POOLS

PUMPS FOR SWIMMING POOLS, ULTRA-SILENT OPERATION, SUITABLE FOR OPERATION WITH SEA WATER

The multi-cell centrifugal pumps in the MCP series are suitable for cleaning the bottom of swimming pools.

### MOTOR

- Closed, ventilated from exterior.
- -Protection rating IP 44.
- -Insulation class F.
- -Single phase power supply with permanently activated capacitor and thermal cutout protection incorporated in the motor winding.
- Rotation speed 2850 rpm.
- Continuous duty.

### TABLE OF MATERIALS

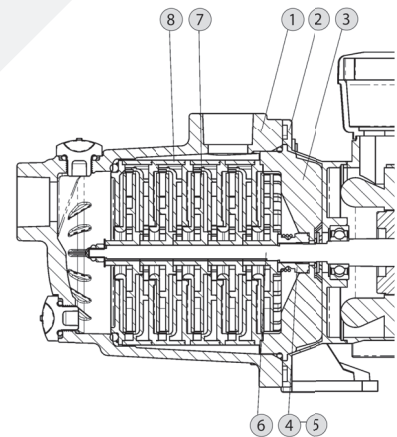
|   | Component          | Material  |
|---|--------------------|---|
| 1 | Pump body          | 30% polypropylene with glass fiber reinforcement            |
| 2 | Motor bracket      | Die cast aluminum   |
| 3 | Seal holder flange | GFN ZV noryl  |
| 4 | Mechanical gasket  | Graphite/ceramic<br>metal parts in stainless steel AISI 316 |
| 5 | Counterface        | Ceramic   |
| 6 | Motor shaft        | X2 CrNiMo 17 - 12 - 2 (AISI 316L)                           |
| 7 | Impellers          | Technopolymer with stainless steel inserts                  |
| 8 | Diffusers          | Technopolymer   |
| 9 | Seals              | NBR   |

### APPLICATION DATA

- Type of liquid: clean water without suspended solid bodies or abrasive material.
- Swimming pool water (containing chlorine), sea water.
- Maximum liquid temperature: 50°C.
- Maximum recommended suction height: 6 m with foot valve.
- Maximum operating pressure: 7 bar.

### APPLICATIONS

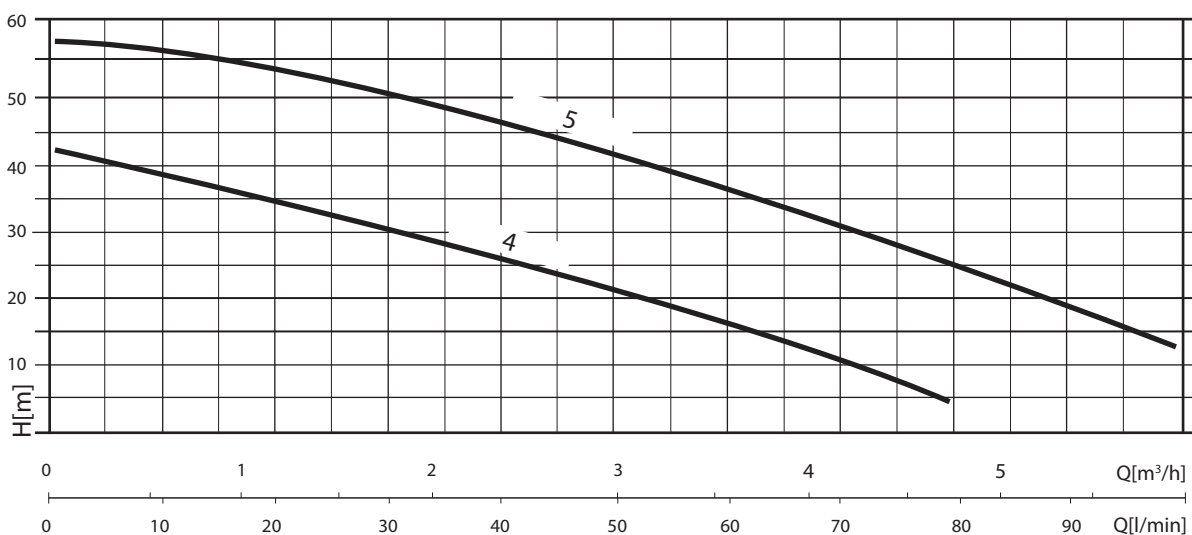
- For cleaning the bottom of swimming pools
- Swimming pool water (containing chlorine), sea water.



# NOCCHI MCP

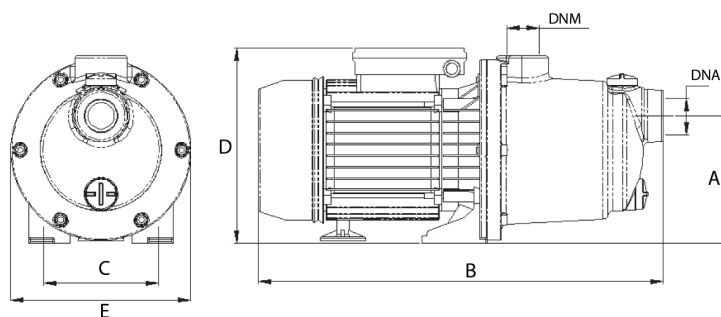
## ELECTRIC MULTI-CELL CENTRIFUGAL PUMPS FOR SWIMMING POOLS

### HYDRAULIC PERFORMANCE



### PERFORMANCE TABLE

| MODEL | Power Motor (P2) |      | Power Motor (P1) |      | VOLT      | In (A) | μF   | Q                 | L/min<br>m³/h | 0  | 20  | 40  | 60  | 80  | 100 |
|-------|------------------|------|------------------|------|-----------|--------|------|-------------------|---------------|----|-----|-----|-----|-----|-----|
|       | HP               | kW   | HP               | kW   |           |        |      |                   |               | 0  | 1.2 | 2.4 | 3.6 | 4.8 | 6   |
| MCP 4 | 0.7              | 0.5  | 1.1              | 0.8  | 1 ~ 230 V | 4      | 12.5 | m.c.a./<br>m.v.c. | 42            | 34 | 27  | 15  | 6   |     |     |
| MCP 5 | 1.1              | 0.85 | 1.7              | 1.25 | 1 ~ 230 V | 5.8    | 20   |                   | 58            | 54 | 47  | 36  | 25  | 11  |     |



### OVERALL DIMENSIONS AND WEIGHTS

| MODEL | Dimensions (mm) |     |    |     |     |     |     | Weight (kg) |
|-------|-----------------|-----|----|-----|-----|-----|-----|-------------|
|       | A               | B   | C  | D   | E   | DNA | DNM |             |
| MCP 4 | 123             | 370 | 99 | 185 | 174 | 1"  | 1"  | 7           |
| MCP 5 | 123             | 385 | 99 | 190 | 174 | 1"  | 1"  | 9           |