

NOCCHI Multi EVO-E

CENTRIFUGAL MULTISTAGE ELECTRIC PUMPS WITH INVERTER

NEW 2016
PENTAIR



ACS

Prodotto Conforme
D.M. 174/2004

The system is composed of a Multi EVO-E horizontal multistage electric centrifugal pump and a CPS electronic control system (inverter), which allows the pressure to be maintained constant in the system, reducing or increasing the electric pump motor rotation speed.

All models are certified for use with household water (ACS and DM174)

ADVANTAGES

Electric pumps in the Multi EVO-E series offer the following advantages:

- High-level reliability - thanks to the resistant and innovative design
- Silent operation - improved user comfort thanks to its silent operation
- Compact form
- Wide range of performance levels for the residential market.
- Excellent priming capacity.



SPECIFICATIONS:

PUMP

- Hydraulic performance conforms to ISO 9906:2012 - Grade 3B
- Type of liquid: clean water with no suspended solids or abrasive material
- Maximum liquid temperature 50°C
- Maximum operating pressure 8 bar
- Maximum recommended suction height 6m with foot valve

MOTORE

- Enclosed, air ventilated (TEFC)
- 2 poles, 50 Hz (n=2850 rpm)
- IE3 three-phase AC (≥ 0.75 kW)
- Protection class: IP55
- Insulation class: F
- Maximum room temperature 40°C
- Single phase power supply



APPLICATIONS

- Pressurization and supply
- Irrigation
- Re-utilization of rainwater
- Cleaning systems



NOCCHI Multi EVO-E

CENTRIFUGAL MULTISTAGE ELECTRIC PUMPS WITH INVERTER

DESIGN FEATURES

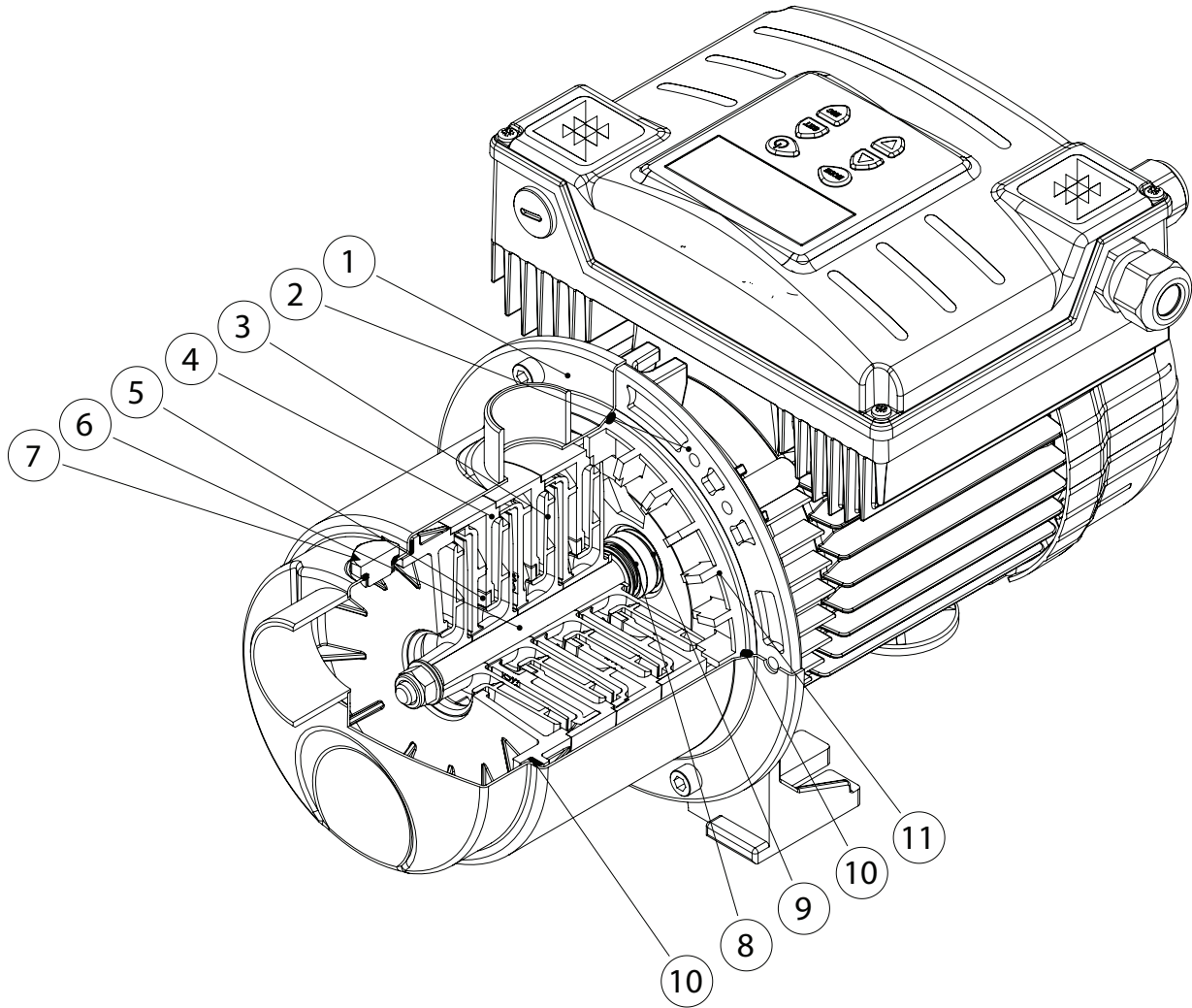


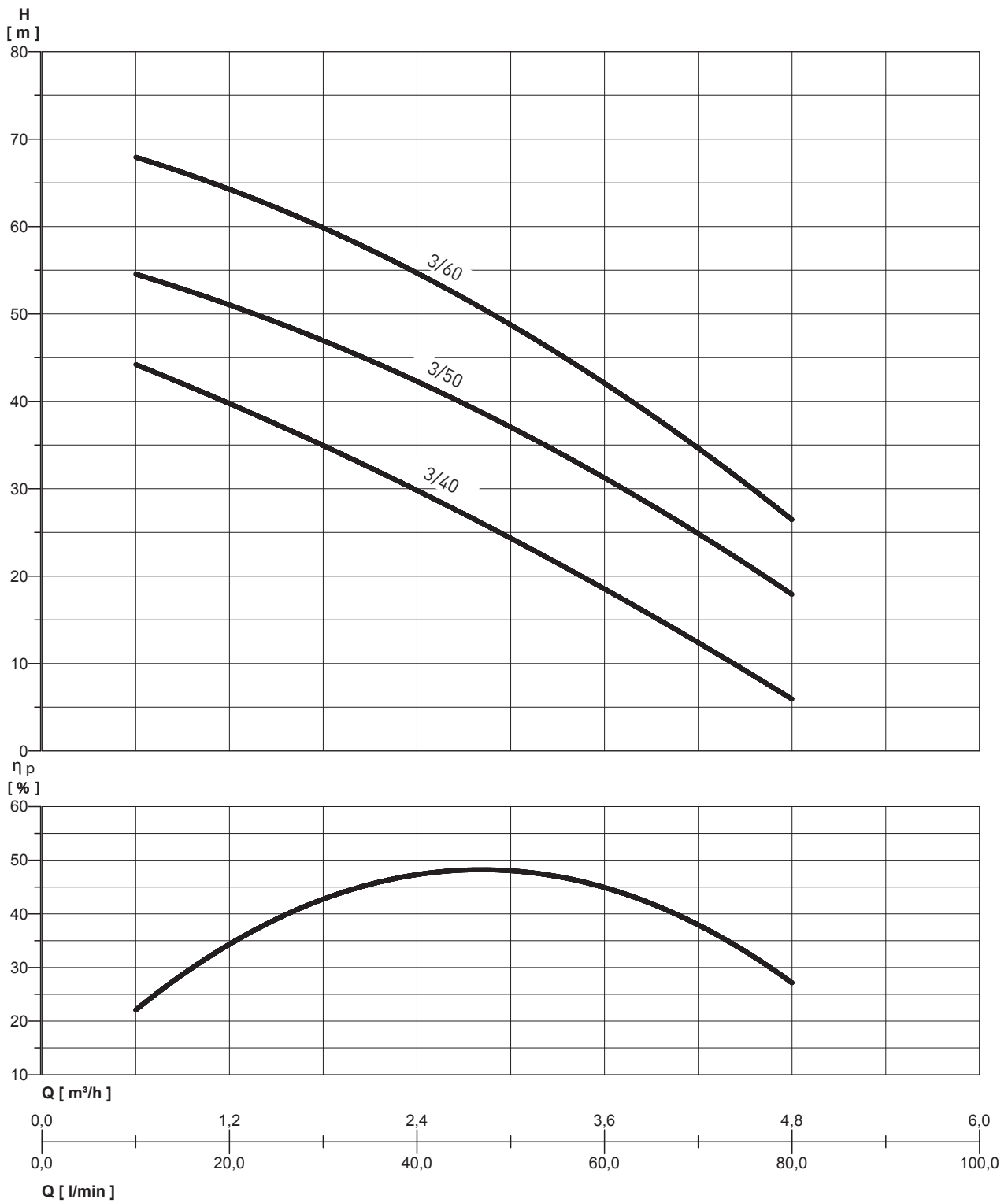
TABLE OF MATERIALS

| Ref. | Component | Material |
|------|------------------------|--|
| 1 | Pump body | Stainless steel Europe: EN10088-1 X5CrNi18-10 (1.4301) USA: AISI 304 |
| 2 | Motor casing | Die-cast aluminium |
| 3 | Impeller | Fibreglass reinforced PPO |
| 4 | Diffuser | Fibreglass reinforced PPO |
| 5 | Wear ring | PTFE |
| 6 | Shaft (hydraulic part) | Stainless steel Europe: EN10088-1 X5CrNi18-10 (1.4301) USA: AISI 304 |
| 7 | Inlet / outlet caps | Stainless steel Europe: EN10088-1 X8CrNiS18-9 (1.4305) USA: AISI 303 |
| 8 | Mechanical seal | Carbon graphite / NBR / SS Europe: EN10088-1 X5CrNi18-10 (1.4301) USA: AISI 304 |
| 9 | Counterface | Ceramic / NBR |
| 10 | Gaskets | NBR 70 Shore A |
| 11 | Seal holder plate | Fibreglass reinforced PPO |

NOCCHI Multi EVO-E 3

CENTRIFUGAL MULTISTAGE ELECTRIC PUMPS WITH INVERTER

HYDRAULIC PERFORMANCE

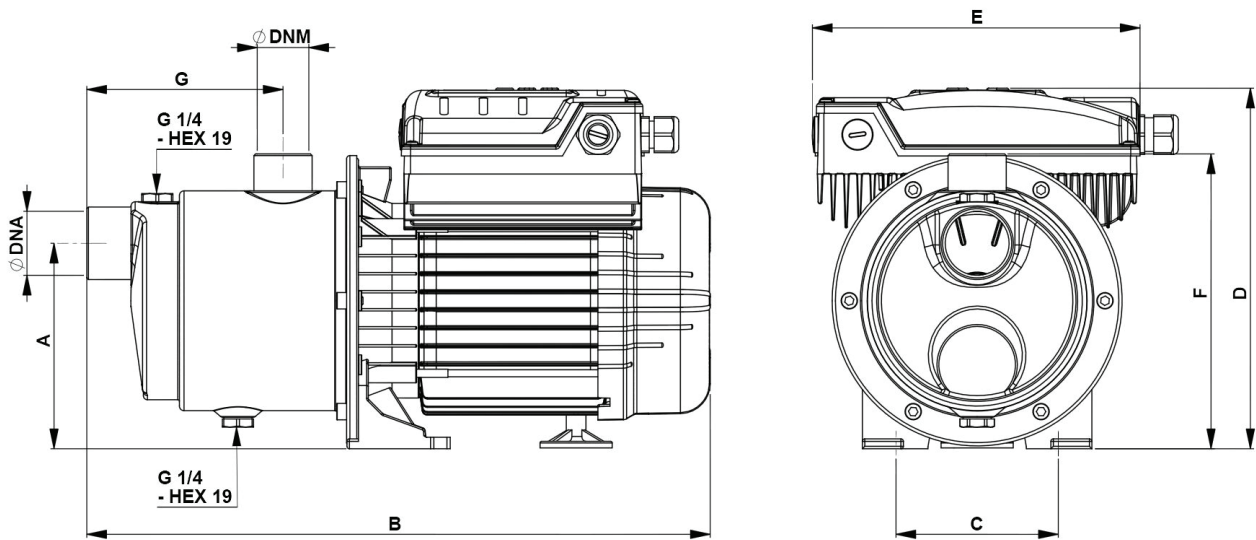


NOCCHI Multi EVO-E 3

CENTRIFUGAL MULTISTAGE ELECTRIC PUMPS WITH INVERTER

PERFORMANCE TABLE

| MODEL | Nominal power (P2) | | Absorbed power (P1) | | Voltage (V) | In (A) | Q | 10 | 20 | 30 | 40 | 50 | 60 | 80 |
|------------------|--------------------|------|---------------------|------|-------------|--------|---|-------|-----|-----|------|------|------|------|
| | HP | kW | HP | kW | | | | l/min | 0,6 | 1,2 | 1,8 | 2,4 | 3 | 3,6 |
| Multi EVO-E 3-40 | 0,74 | 0,55 | 1,1 | 0,8 | 1 ~ 230 | 5,3 | total head in metres water column | 44 | 40 | 35 | 30 | 24 | 18,5 | 6 |
| Multi EVO-E 3-50 | 0,94 | 0,7 | 1,34 | 1 | 1 ~ 230 | 7 | | 54,5 | 51 | 47 | 42,5 | 37 | 31 | 18 |
| Multi EVO-E 3-60 | 1,27 | 0,95 | 1,8 | 1,35 | 1 ~ 230 | 8,7 | | 68 | 64 | 60 | 55 | 48,5 | 42 | 26,5 |



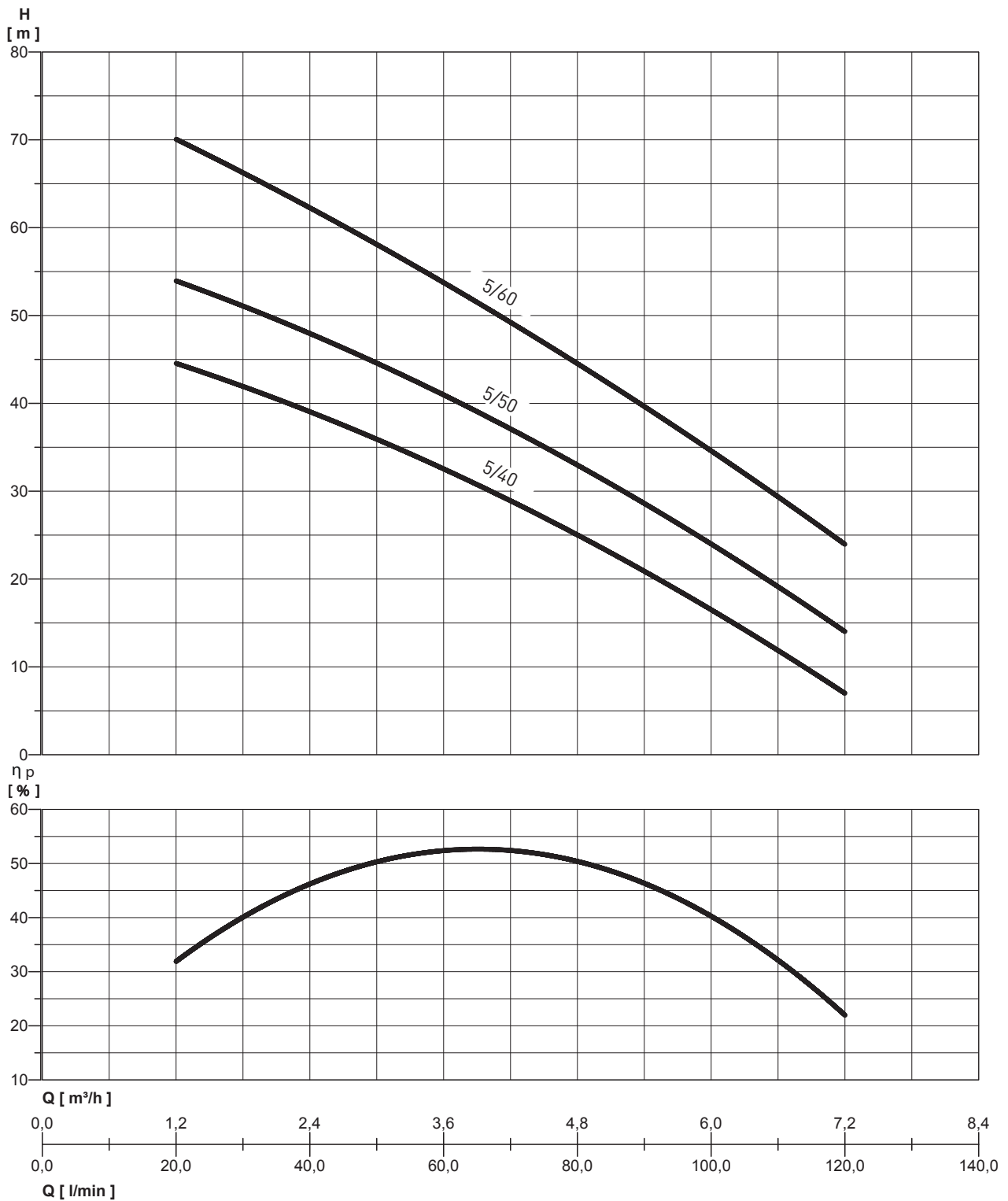
OVERALL DIMENSIONS AND WEIGHTS

| MODEL | Dimensions mm. | | | | | | | | | Weight (Kg) |
|------------------|----------------|-----|-----|-----|-----|-----|-----|-----|-----|-------------|
| | A | B | C | D | E | F | G | DNA | DNM | |
| Multi EVO-E 3-40 | 129 | 360 | 100 | 211 | 198 | 180 | 116 | 1" | 1" | 10 |
| Multi EVO-E 3-50 | 129 | 377 | 100 | 220 | 198 | 180 | 116 | 1" | 1" | 12,1 |
| Multi EVO-E 3-60 | 129 | 377 | 100 | 220 | 198 | 180 | 116 | 1" | 1" | 13,4 |

NOCCHI Multi EVO-E 5

CENTRIFUGAL MULTISTAGE ELECTRIC PUMPS WITH INVERTER

HYDRAULIC PERFORMANCE

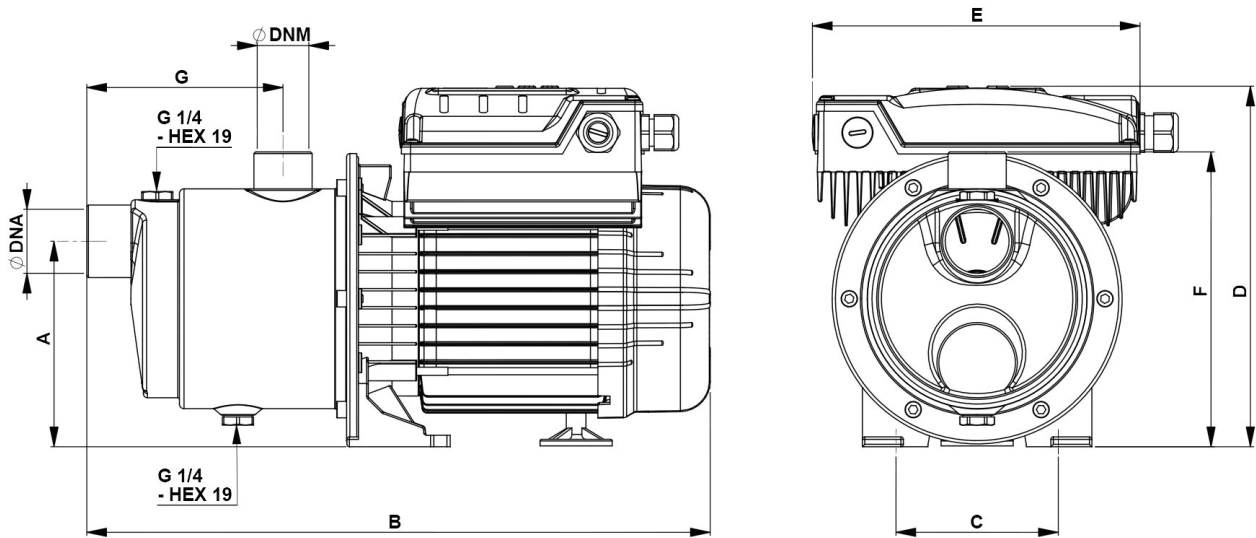


NOCCHI Multi EVO-E 5

CENTRIFUGAL MULTISTAGE ELECTRIC PUMPS WITH INVERTER

PERFORMANCE TABLE

| MODEL | Nominal power (P2) | | Absorbed power (P1) | | Voltage (V) | In (A) | Q | Flow rate | | | | | | | | |
|------------------|--------------------|-----|---------------------|------|-------------|--------|---|-------------------|------|-----|------|----|------|------|------|-----|
| | HP | kW | HP | kW | | | | l/min | 20 | 30 | 40 | 50 | 60 | 80 | 100 | 120 |
| | | | | | | | | m ³ /h | 1,2 | 1,8 | 2,4 | 3 | 3,6 | 4,8 | 6 | 7,2 |
| Multi EVO-E 5-40 | 0,94 | 0,7 | 1,34 | 1 | 1 ~ 230 | 7 | total head in metres water column | | 44,5 | 42 | 39 | 36 | 32,5 | 25 | 16,5 | 7 |
| Multi EVO-E 5-50 | 1,2 | 0,9 | 1,68 | 1,25 | 1 ~ 230 | 8,5 | | 54 | 51 | 48 | 44,5 | 41 | 33 | 24 | 14 | |
| Multi EVO-E 5-60 | 1,74 | 1,3 | 2,4 | 1,8 | 1 ~ 230 | 11,5 | | 70 | 66,5 | 62 | 58 | 54 | 44,5 | 34,5 | 24 | |



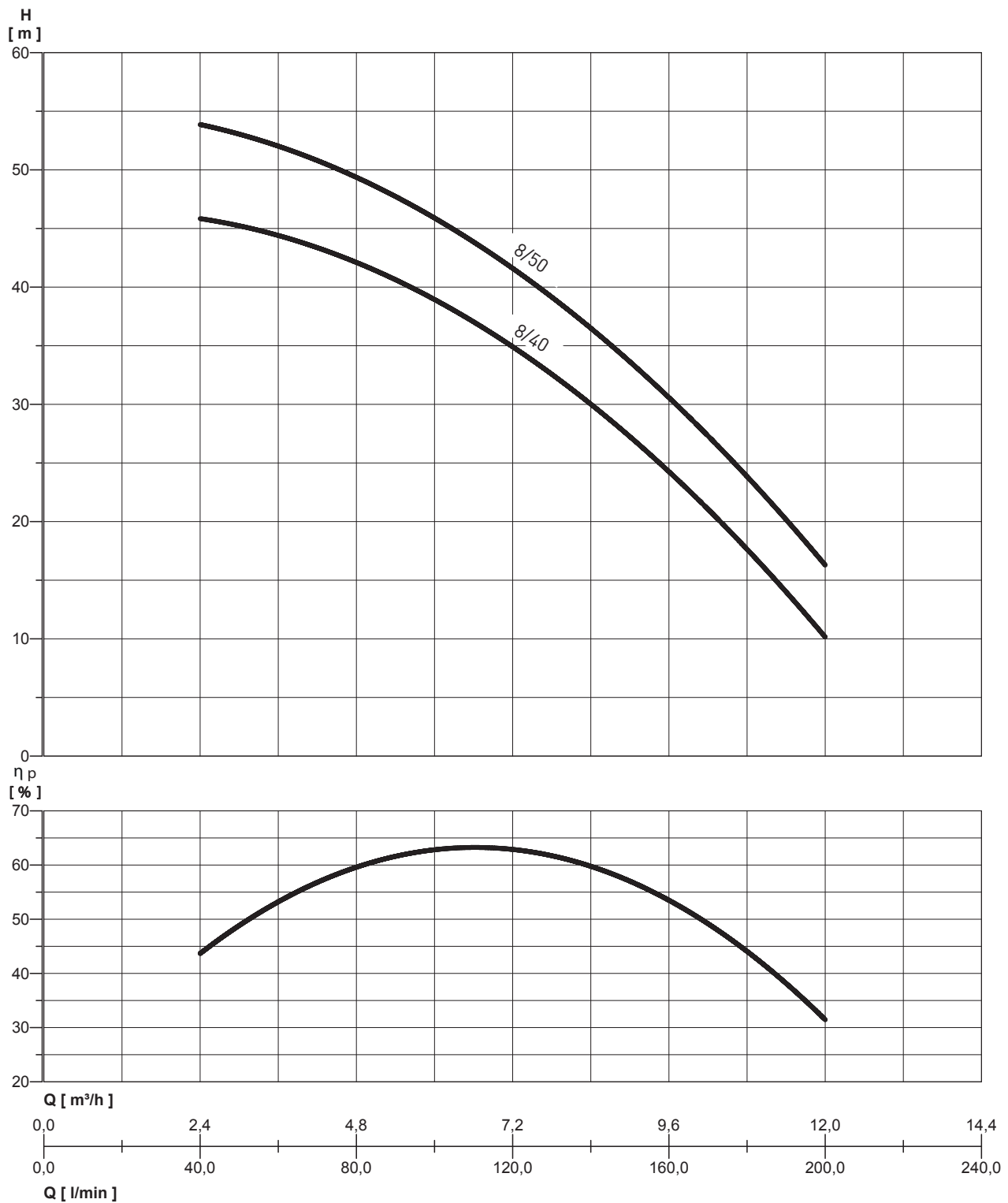
OVERALL DIMENSIONS AND WEIGHTS

| MODEL | Dimensions mm. | | | | | | | | | Weight (Kg) |
|--------------------|----------------|-----|-----|-----|-----|-----|-----|-------|-----|-------------|
| | A | B | C | D | E | F | G | DNA | DNM | |
| Multi EVO-E 5-40 M | 125 | 380 | 100 | 220 | 198 | 180 | 119 | 1"1/4 | 1" | 12,2 |
| Multi EVO-E 5-50 M | 125 | 380 | 100 | 220 | 198 | 180 | 119 | 1"1/4 | 1" | 13 |
| Multi EVO-E 5-60 M | 125 | 413 | 100 | 230 | 198 | 180 | 119 | 1"1/4 | 1" | 14,5 |

NOCCHI Multi EVO-E 8

CENTRIFUGAL MULTISTAGE ELECTRIC PUMPS WITH INVERTER

HYDRAULIC PERFORMANCE

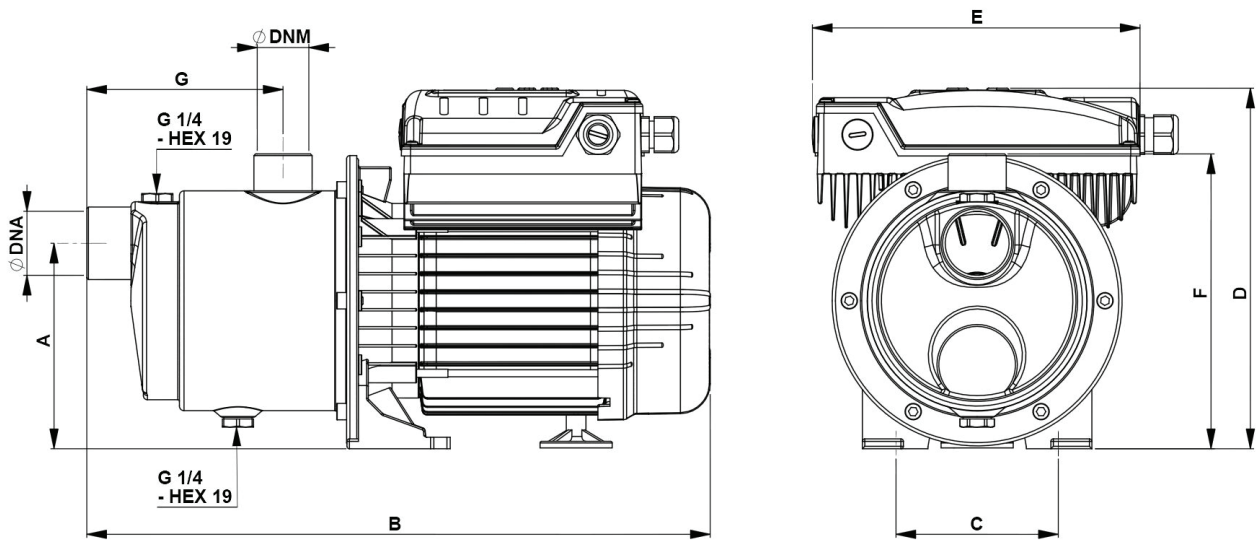


NOCCHI Multi EVO-E 8

CENTRIFUGAL MULTISTAGE ELECTRIC PUMPS WITH INVERTER

PERFORMANCE TABLE

| MODEL | Nominal power (P2) | | Absorbed power (P1) | | Voltage (V) | In (A) | Q | | | | | | | | | | | | |
|------------------|--------------------|-----|---------------------|-----|-------------|--------|---|-------------------|-----|------|-----|-----|-----|------|------|------|------|-----|--|
| | HP | kW | HP | kW | | | | l/min | 40 | 50 | 60 | 80 | 100 | 120 | 140 | 160 | 180 | 200 | |
| | | | | | | | | m ³ /h | 2,4 | 3 | 3,6 | 4,8 | 6 | 7,2 | 8,4 | 9,6 | 10,8 | 12 | |
| Multi EVO-E 8-40 | 1,6 | 1,2 | 2,15 | 1,6 | 1 - 230 | 10,2 | Total head in metres water column | 46 | 45 | 44,5 | 42 | 39 | 35 | 30 | 24 | 18 | 10 | | |
| Multi EVO-E 8-50 | 1,9 | 1,4 | 2,7 | 2 | 1 - 230 | 12,5 | | 54 | 53 | 52 | 49 | 46 | 42 | 36,5 | 30,5 | 23,5 | 16,5 | | |



OVERALL DIMENSIONS AND WEIGHTS

| MODEL | Dimensions mm. | | | | | | | | | Weight (Kg) |
|--------------------|----------------|-----|-----|-----|-----|-----|-----|-------|-------|-------------|
| | A | B | C | D | E | F | G | DNA | DNM | |
| Multi EVO-E 8-40 M | 125 | 430 | 100 | 230 | 198 | 187 | 137 | 1"1/4 | 1"1/4 | 15 |
| Multi EVO-E 8-50 M | 125 | 430 | 100 | 230 | 198 | 187 | 137 | 1"1/4 | 1"1/4 | 16,7 |