

# NOCCHI WATERPRESS INOX

## PRESSURE UNITS WITH 24-LITER HORIZONTAL EXPANSION TANK

The WATERPRESS INOX pressure boosters are designed with pump models JETINOX or MAX. They are supplied pre-wired, complete with 24-liter expansion tank and ready for installation and use.

### APPLICATIONS

- Lifting and distribution of water in domestic systems.
- Pressure booster systems.
- Washing and irrigation.

### DESIGN SPECIFICATIONS

- Pressure switch (max 6 bar) set to: min 2 - max 3 bar.
- Pressure gauge (6 bar).
- 5-way connector in chrome-plated molded brass.
- 24-liter expansion tank in painted steel with interchangeable foodgrade rubber diaphragm.
- Hydraulic connection tuboflex hose.
- 1.5 m H05 RN-F power cable with plug.

### TABLE OF MATERIALS

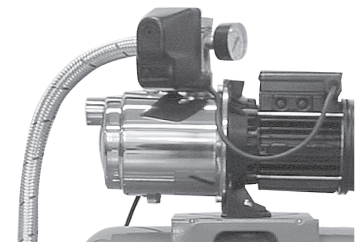
Component	Material	
	WP INOX 70/50	WP INOX 80/48
Pump body	Stainless steel X5 CrNi 1810 (AISI 304)	Stainless steel X5 CrNi 1810 (AISI 304)
Motor bracket	Die cast aluminum	Die cast aluminum
Impellers	Technopolymer with shim ring in stainless steel	Technopolymer with shim ring in stainless steel
Diffuser-Venturi pipe nozzle	Technopolymer	-
Shaft	Stainless steel X 12 CrNiS 1809 (AISI 416)	hydraulic section Stainless steel X5 CrNi 1810 (AISI 304)
Mechanical gasket	Graphite	Graphite
Counterface	Ceramic	Ceramic
Seals	NBR 70 shore	NBR 70 shore

### APPLICATION DATA

- Type of liquid: clean water without suspended solid bodies or abrasive material.
- Maximum liquid temperature: 50°C.
- Maximum recommended suction height: 8 m with foot valve. (7 m for model WP INOX 80/48)
- Maximum operating pressure: 6 bar.

### MOTOR

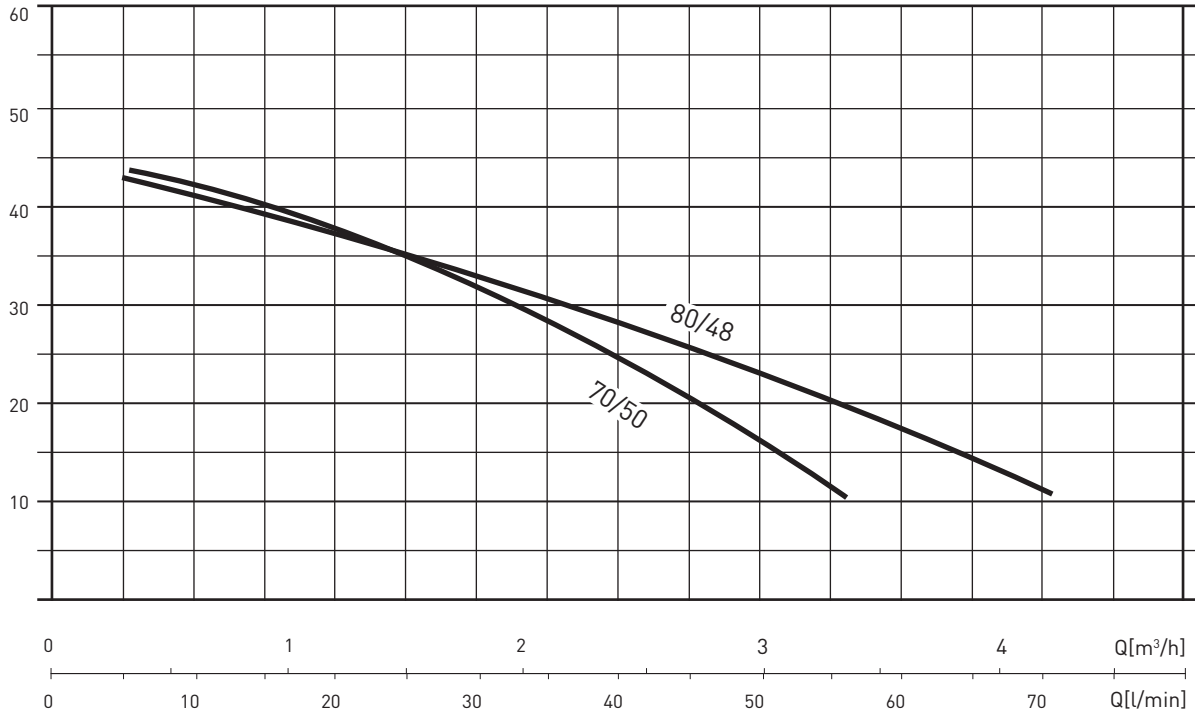
- Closed, ventilated from exterior.
- Protection rating IP 44.
- Insulation class F.
- Single phase power supply with permanently activated capacitor.
- Thermal cutout protection incorporated in motor winding.
- Rotation speed 2850 rpm.
- Continuous duty.



# NOCCHI WATERPRESS INOX

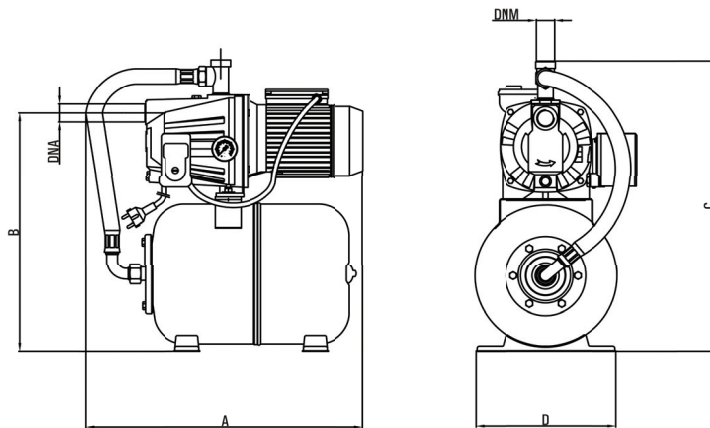
## PRESSURE UNITS WITH 24-LITER HORIZONTAL EXPANSION TANK

### HYDRAULIC PERFORMANCE



### PERFORMANCE TABLE

MODEL	Power Motor (P2)		Motor output (P1)		VOLT	In (A)	μF	Q	L/min				
	HP	kW	HP	kW					0	20	40	60	80
WP INOX 70/50	0.95	0.7	1.36	1.0	1 ~ 230 V	4.5	16	m.c.a./ m.w.c.	0	20	40	60	80
WP INOX 80/48	0.75	0.55	1.1	0.80	1 ~ 230 V	4	12.5		0	1.2	2.4	3.6	4.8



### OVERALL DIMENSIONS AND WEIGHTS

MODEL	Dimensions (mm)						Weight (kg)
	A	B	C	D	DNA	DNM	
WATERPRESS INOX 70/50	520	445	565	260	1" F	1" F	13.8
WATERPRESS INOX 80/48	520	430	550	260	1" F	1" F	12.3