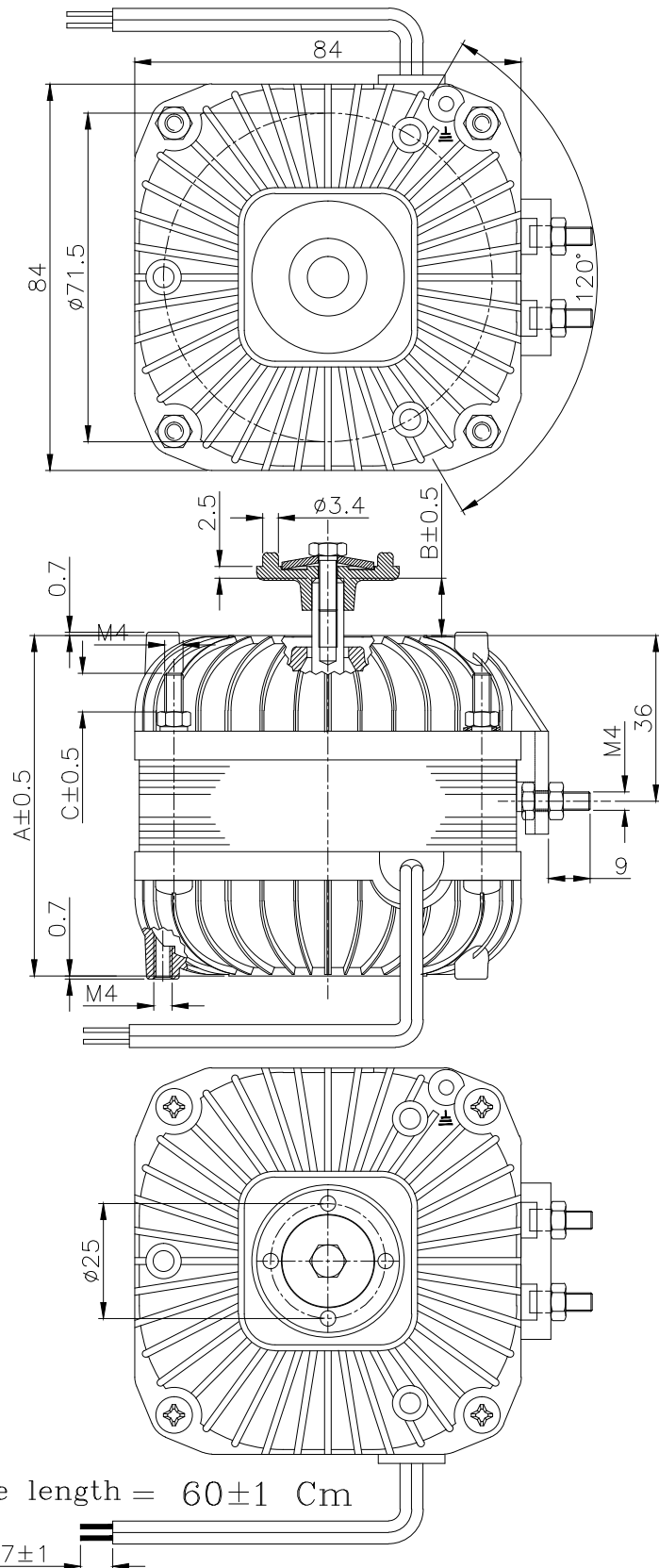


# Fan Motors 5,7,10,16,25W



Power wire length =  $60 \pm 1$  Cm

Out put Power	5W	10W	16W	25W
A	66	74	79	94
B	10	12	15	20
C	6.5	8.5	8.5	8.5